

Terrace roofing

with polycarbonate covering



Assembly instructions

for wall-mounted roofs



Table of contents

Safety instructions	3	Assembly cover profiles	29
Assembly requirements	4	Covering first side rafter	30
Overview of components		Roof covering and covering intermediate rafter	31
Main components & roof covering	6	Covering second side rafter	32
Screws	7	Fixation intermediate rafter.....	32
Rubber seals and adhesive tapes	7	Drainage Gutter with Leaf catcher	33
Drainage.....	8	Assembly Gutter <i>without adjoining side wall</i>	34
Cover profiles.....	8	Assembly cover profiles and sealing	35
Optional accessory	9	Final alignment of the support posts	36
Required tools	10	Component designation	37
Assembly		Inclination table	38
Assembly Wall mounting profile.....	11		
Assembly Wall distance support posts.....	13		
Assembly Support posts with concrete base.....	14		
Intermediate distance support posts.....	16		
Assembly Support posts with concrete base.....	18		
Assembly Support posts and drainage.....	19		
Assembly Support posts ground mounting.....	20		
Assembly Support posts without concrete base.....	21		
Preparation Gutter and rafter	22		
Preparation Intermediate rafter with lightning	23		
Preparation Roof covering	24		
Assembly Gutter <i>with adjoining side wall</i>	26		
Connection Gutter <i>for more than 2 support post</i>	27		
Assembly Side rafter	28		
Assembly Intermediate rafter	28		

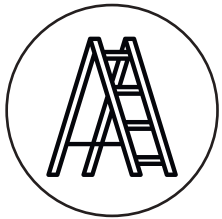
Safety instructions



At least two people are required to install the roofing.



Wear suitable protective gloves during assembly.



When using ladders and stairs, ensure that they are on a firm surface to ensure a secure footing.



It is recommended to wear suitable safety shoes during assembly.



Wear suitable safety goggles and hearing protection when drilling and sawing.

Assembly requirements

The following requirements must be observed for correct installation!

Wall

Make sure that the wall on which the patio cover is to be mounted is made of stone or other hard stony materials.

The fixing materials supplied are only suitable for the wall types described here. In the event of deviations, suitable fasteners must be selected.

Ground

The ground in the area of the posts must be firm so that the patio cover does not sink in.

Tamped sand in combination with the concrete base is preferable. If necessary, a buried gravel tile, for example, can be used as a base for the concrete pedestal. In soft, sandy soils, a paving slab can increase the bearing surface of the concrete base and thus optimally distribute the load on the soft substrate.

The maximum floor load under extreme conditions is up to 5200 kg/m².

Snow

Place a terrace roof that meets the requirements of the snow zone in your region where the roof is to be installed. Depending on their size and design, our roofings are approved for areas with snow load zone 1 or snow load zone 2.

In areas with heavy snowfall, measures should be taken to ensure that the snow can be easily removed from the roof covering if necessary.

Maintenance and cleaning

The powder-coated aluminium makes your roofing very maintenance-free. Periodic cleaning with e.g. non-aggressive cleaning agents or methods is sufficient (the use of aggressive cleaning agents or methods will invalidate the guarantee). If necessary, the roof panels can be hosed down with a high-pressure cleaner.

Make sure that you never step directly on the roof covering when walking on the roof. Lay out a wide board to distribute the forces and prevent damage to the lacquer finish.

If paint damage occurs, it can be easily repaired with a touch-up pen in the corresponding RAL colour.

Assembly requirements

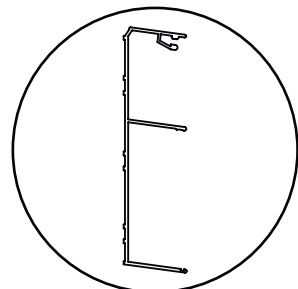
Check each component for damage before installation!

We attach great importance to careful packaging, transport and delivery of your terrace roofing. Despite all precautionary measures, it cannot be ruled out in individual cases that the goods may arrive without damage. If necessary, please photograph the damage and contact us immediately.

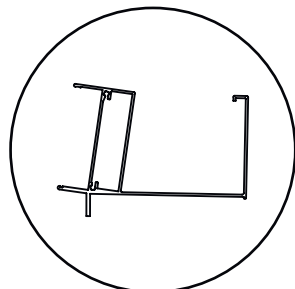
- In order to maintain both CE conformity and the warranty, the instructions in the installation manual must be strictly adhered to. Any deviation from this may invalidate the warranty and CE conformity.
 - In order to maintain CE conformity, only a roofing that fulfils the requirements of the snow load zone in which it is to be installed may be installed.
 - Ensure that the roofing is properly earthed if it is fitted with lighting. Use a self-tapping screw on the inside of the wall profile (A10001).
 - If more than one gutter is used, a support must always be fitted under the „coupling“. Both gutters must be shortened symmetrically when adjusting the width.
 - It is not possible to install a rainwater drainage system in the support under the connection of two gutters.
- Take into account the expansion of the materials if the roofing is mounted tightly between existing buildings. Maintain a minimum clearance of 5mm on both sides.
 - Only use the fasteners supplied with the roofing. These materials have been selected for their strength and properties in combination with aluminium. This does not apply to fasteners for mounting the wall profile (A10001). Although suitable screws and dowels are included in the delivery, these must be adapted to the mounting surface if necessary and replaced with suitable fasteners. Make sure that the screws and plugs have ETA approval, otherwise this may affect CE conformity and the guarantee.

Overview of components

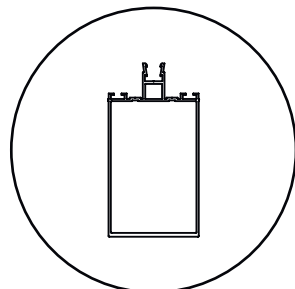
Main components & roof covering



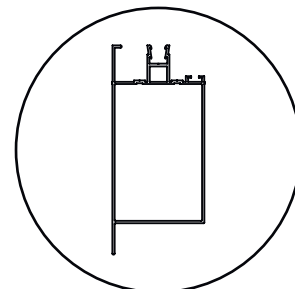
A10001



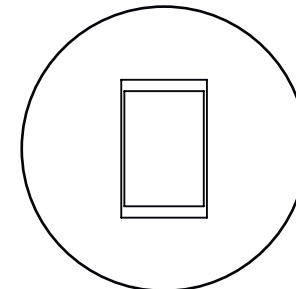
A10138



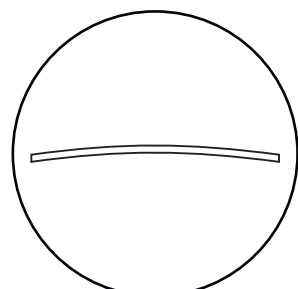
A10013



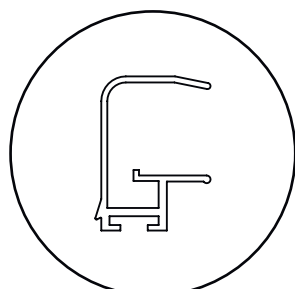
A10025



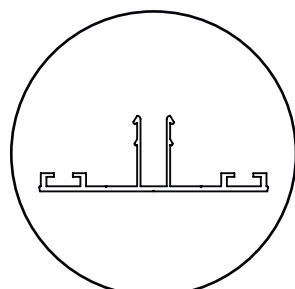
A10147



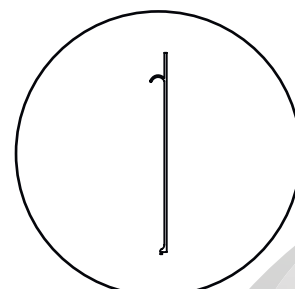
C15150



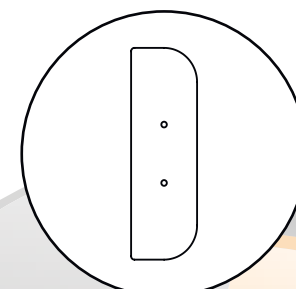
A10086



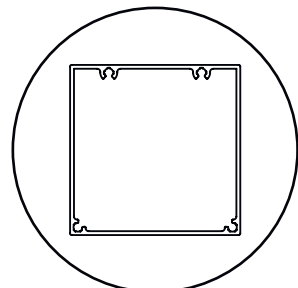
A10107



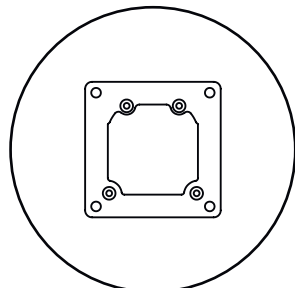
A10071



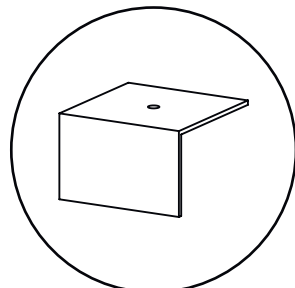
C10083



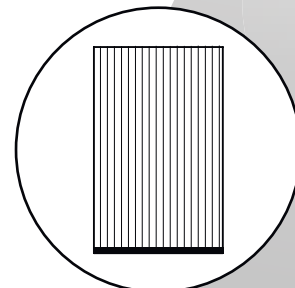
A10134



A15100



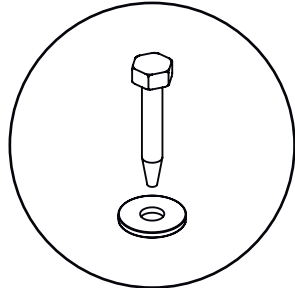
A10154



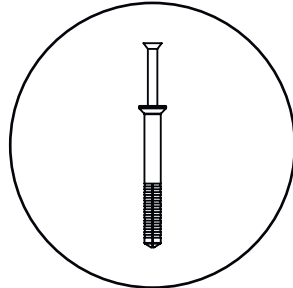
E33001

Overview of components

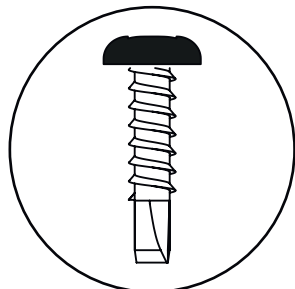
Screws



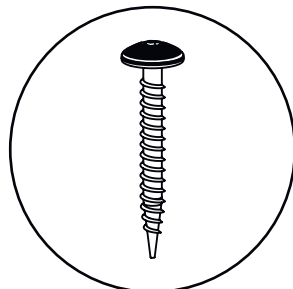
D50059



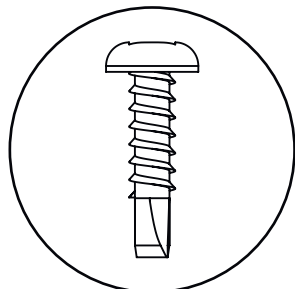
D50051



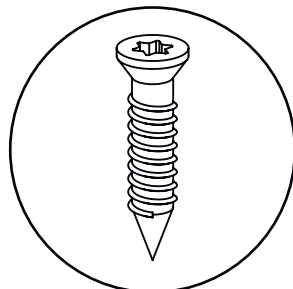
4,2x16 coloured



4.8x38 coloured



4,2x16

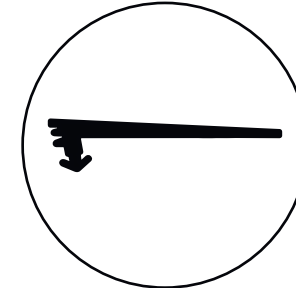


6,3x25

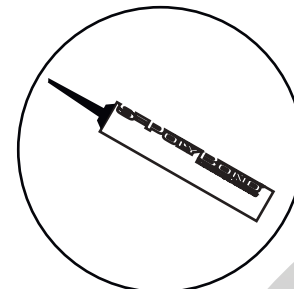
Rubber seals and adhesive tapes



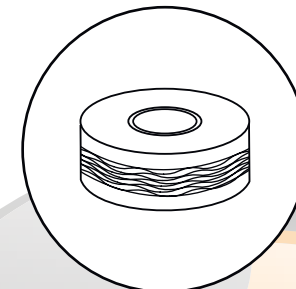
B21481



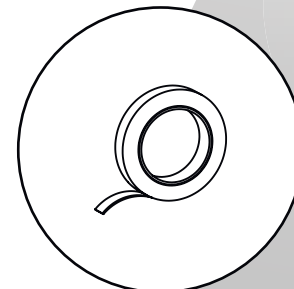
B25501



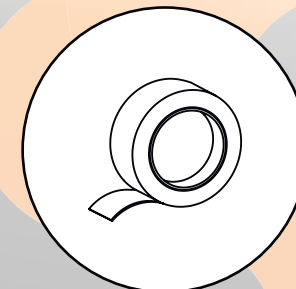
SILIKON*profi*



tape poly



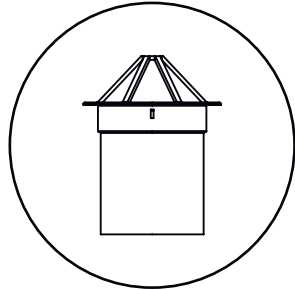
Bufix tape



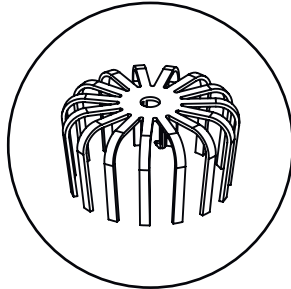
Buseal tape

Overview of components

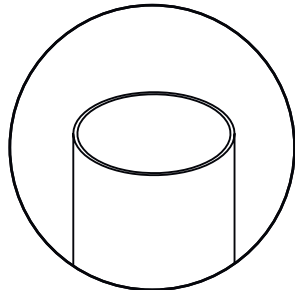
Components for drainage



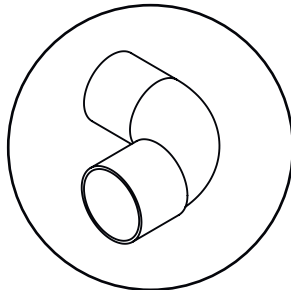
C70071



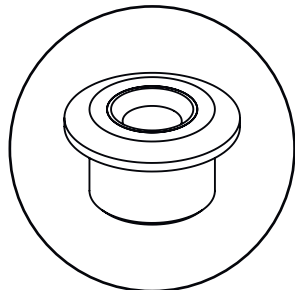
C70012



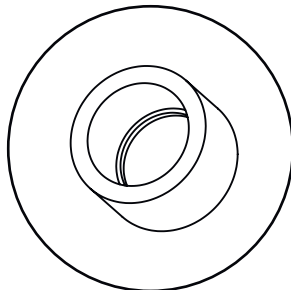
C70004



C70011

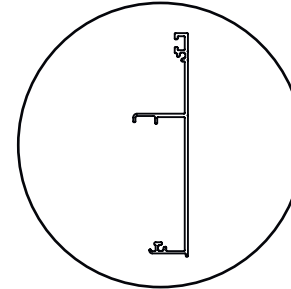


C40001

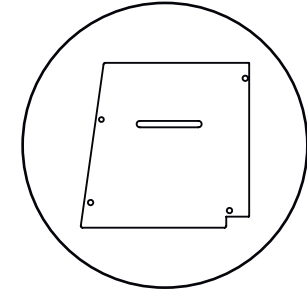


C70017

Cover profiles (square design)

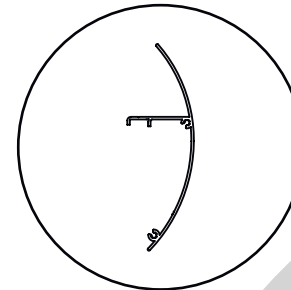


A10273

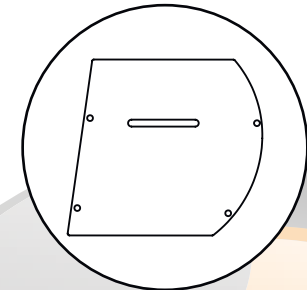


A10276

Cover profiles (rounded design)



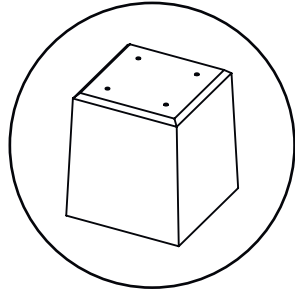
A10122



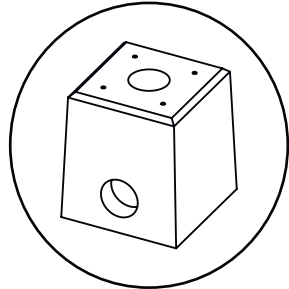
A10131

Optional accessory

Concrete base

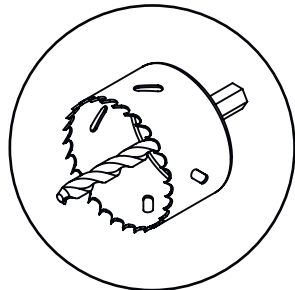


C90010

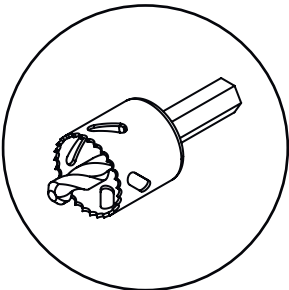


C90008

Hole saws

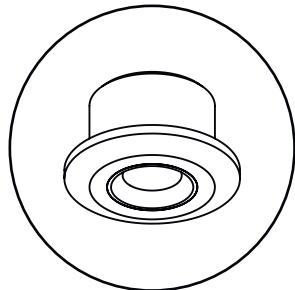


60mm

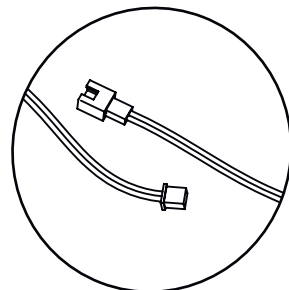


28mm

LED-lighting



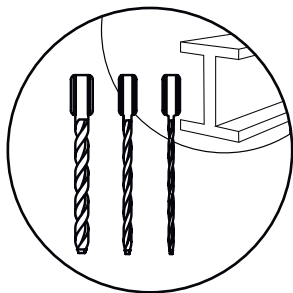
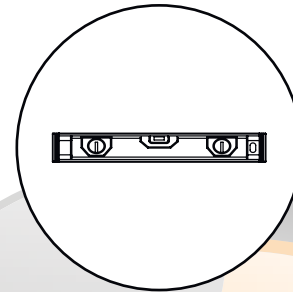
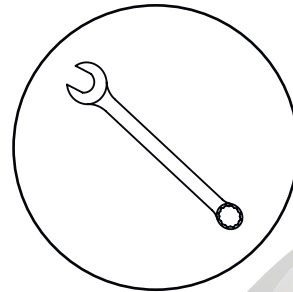
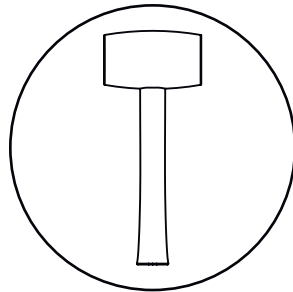
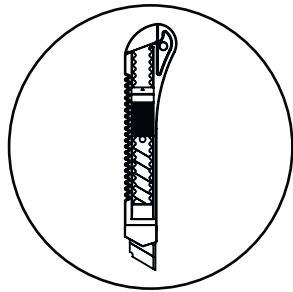
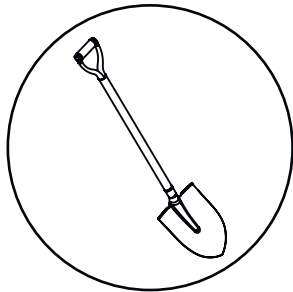
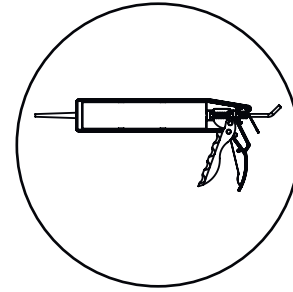
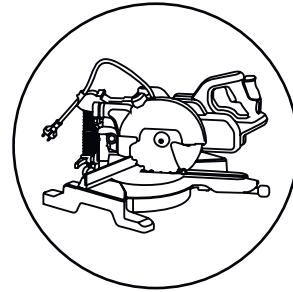
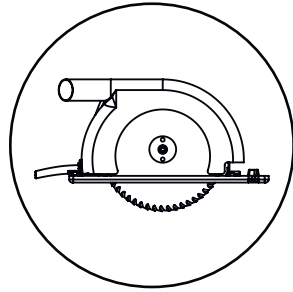
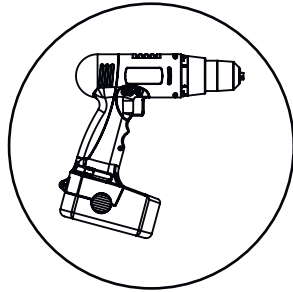
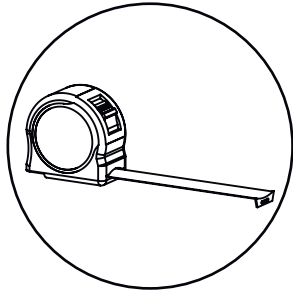
LED-Spots



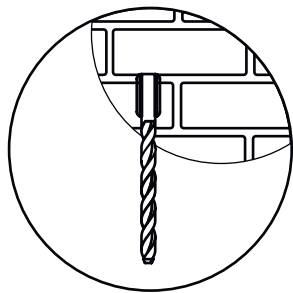
Cable extensions

Required tools

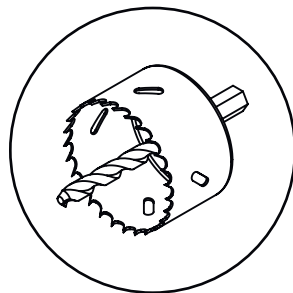
Not included in scope of delivery



* 9, 5 & 3,5mm



* 8mm

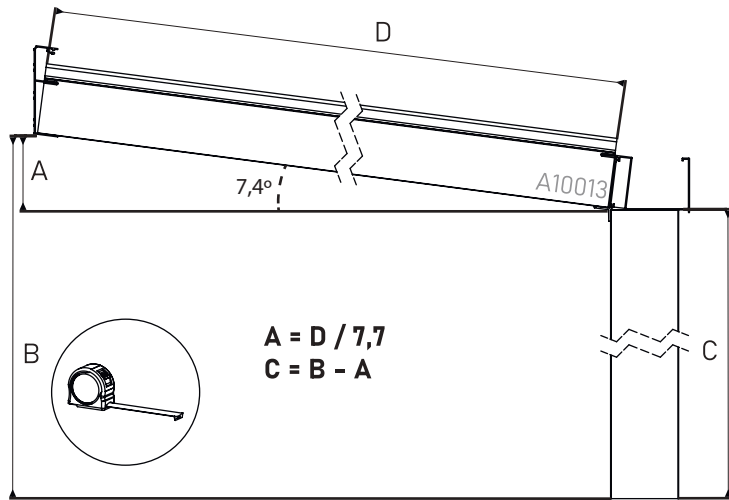


60mm

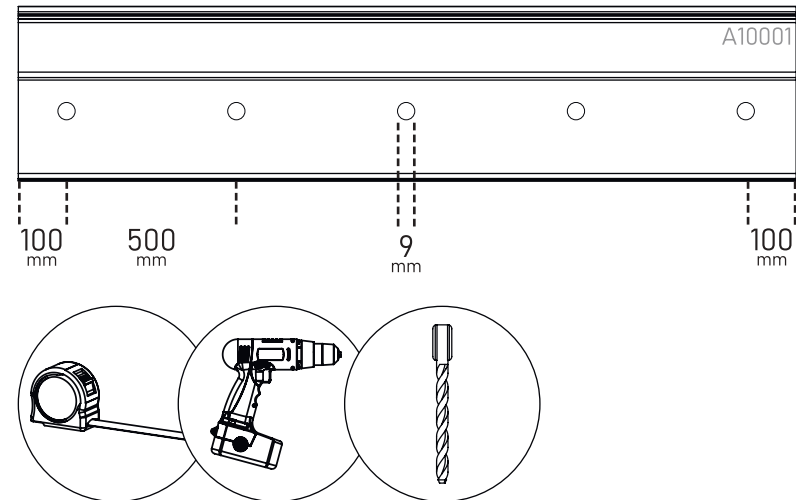
13mm

* May vary when using other suitable fixings for wall mounting

1



2



NOTICE!

Length C corresponds to the passage height of the patio cover and must not exceed 295cm.

The installation height to the lower edge of the wall mounting profile is calculated using the formula given.

- i** In the appendix you will find an overview table for determining the installation height based on the depth D of the roofing. Please note that an additional (optional) installation of sliding glass walls requires a passage height C of at least 200cm to a maximum of 260cm.



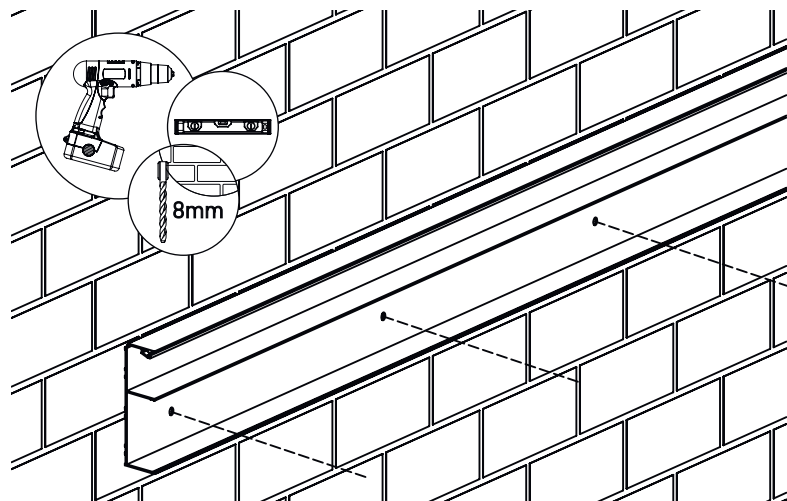
NOTICE!

The drill bit shown for metal may differ in diameter if the mounting surface requires other fasteners.

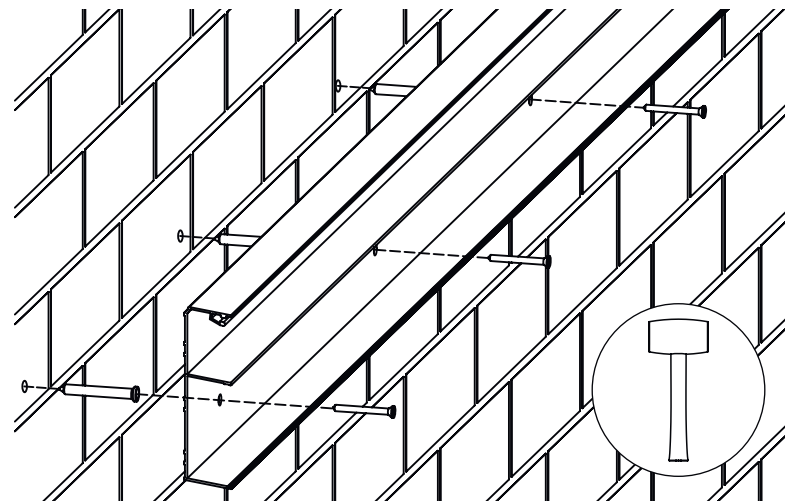
Always select a metal drill bit with a nominal diameter one millimetre larger than the nominal diameter of the dowel fixing for drilling the wall connection profile.

- i** Use of unsuitable fasteners may affect the CE conformity and void the warranty.

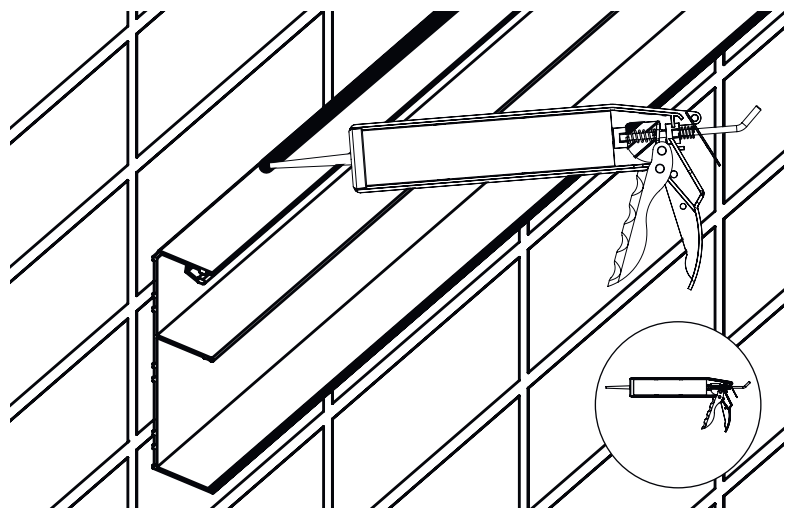
3



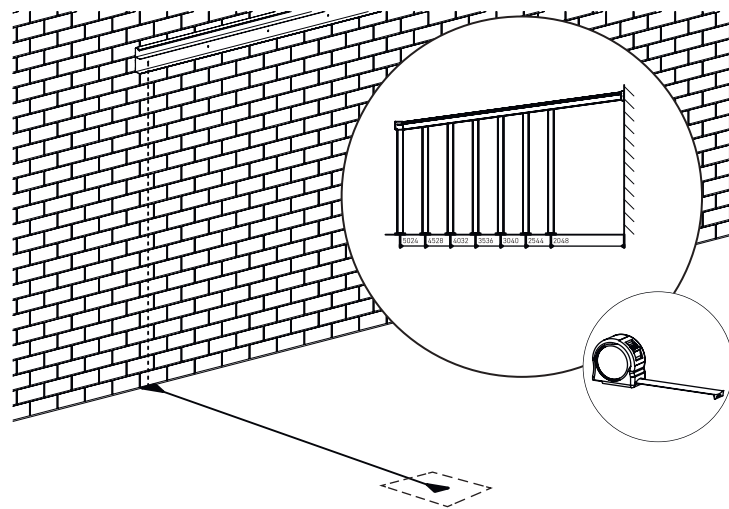
4

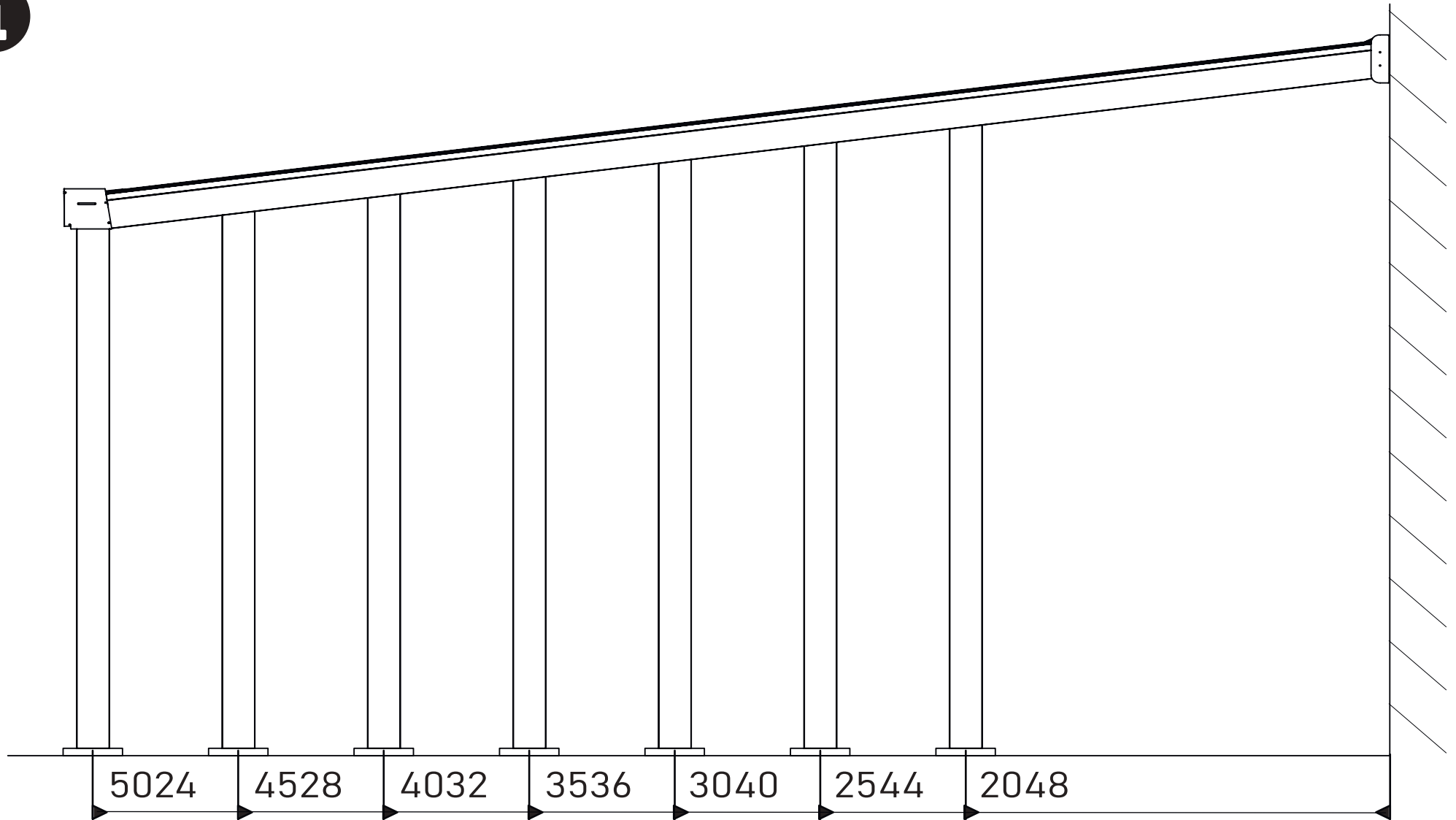


5



6

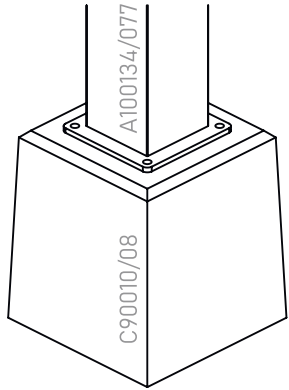




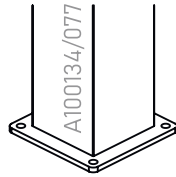
Assembly

Support posts with concrete base

i



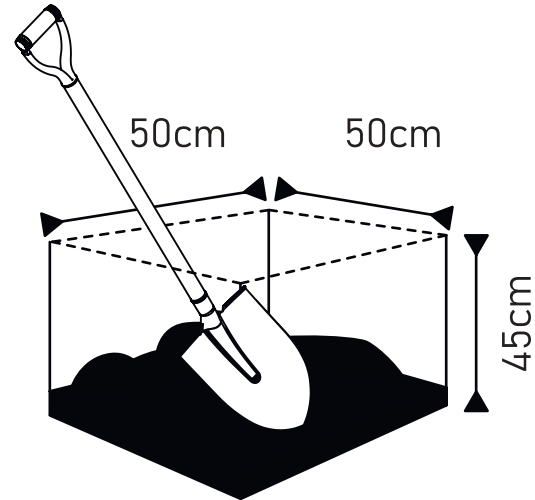
→ **7**



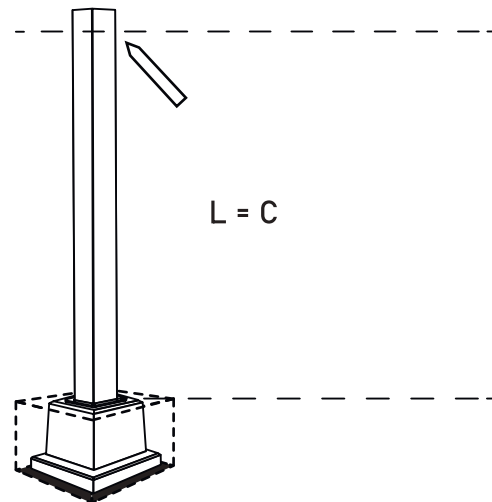
→ **19**

i Concrete base optionally available

7



9

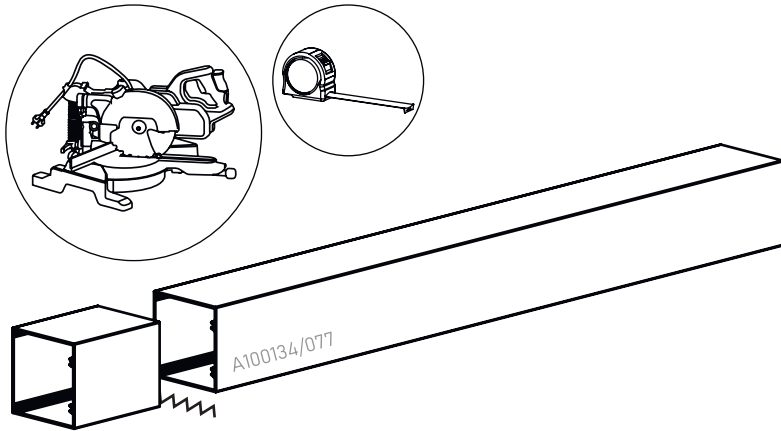


i C corresponds to passage height (see step 1)

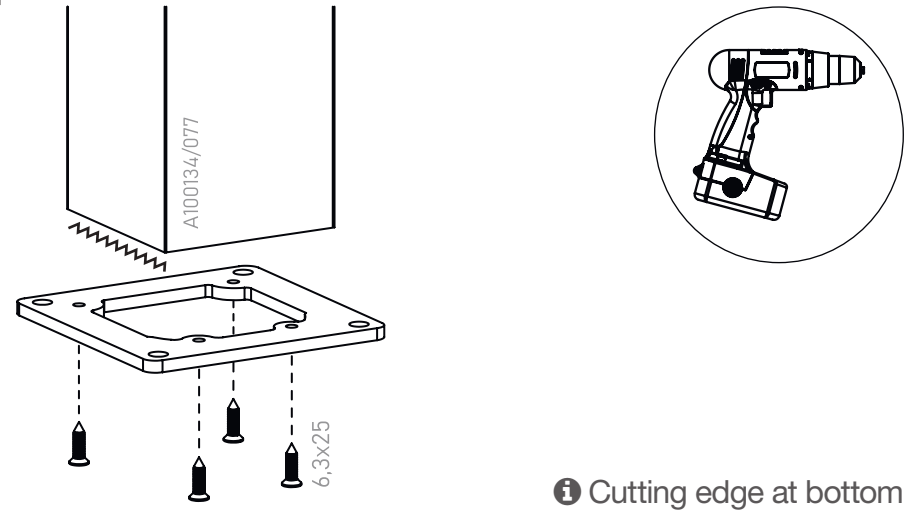
Assembly

Support posts with concrete base

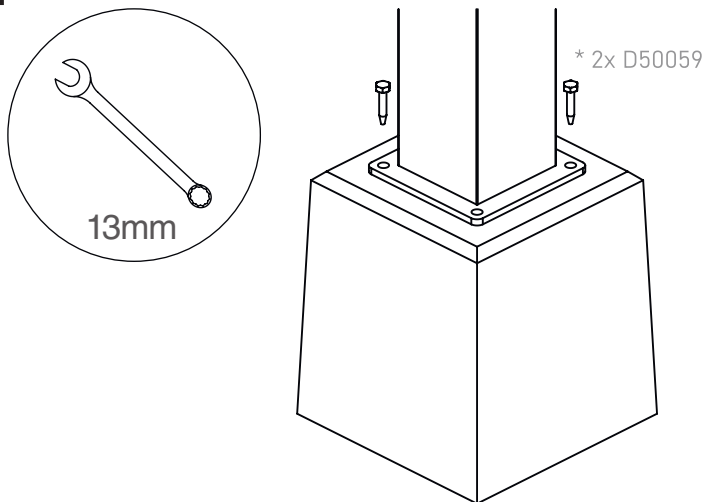
10



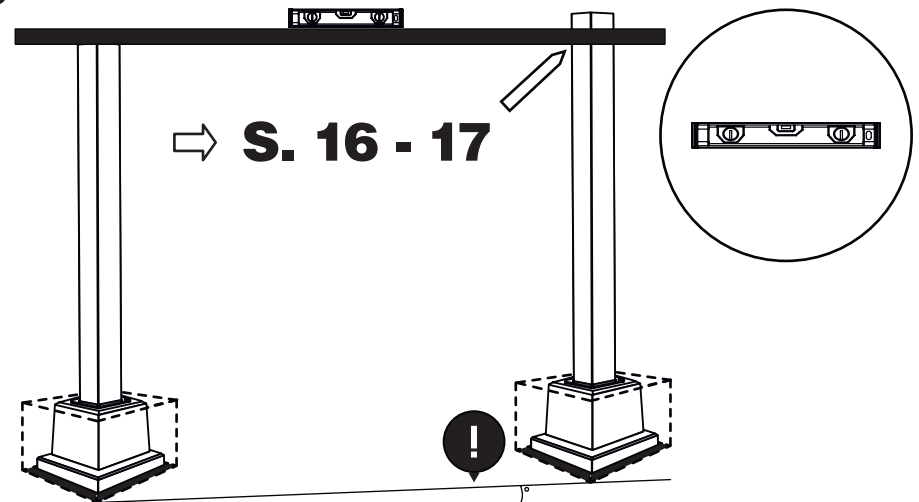
11



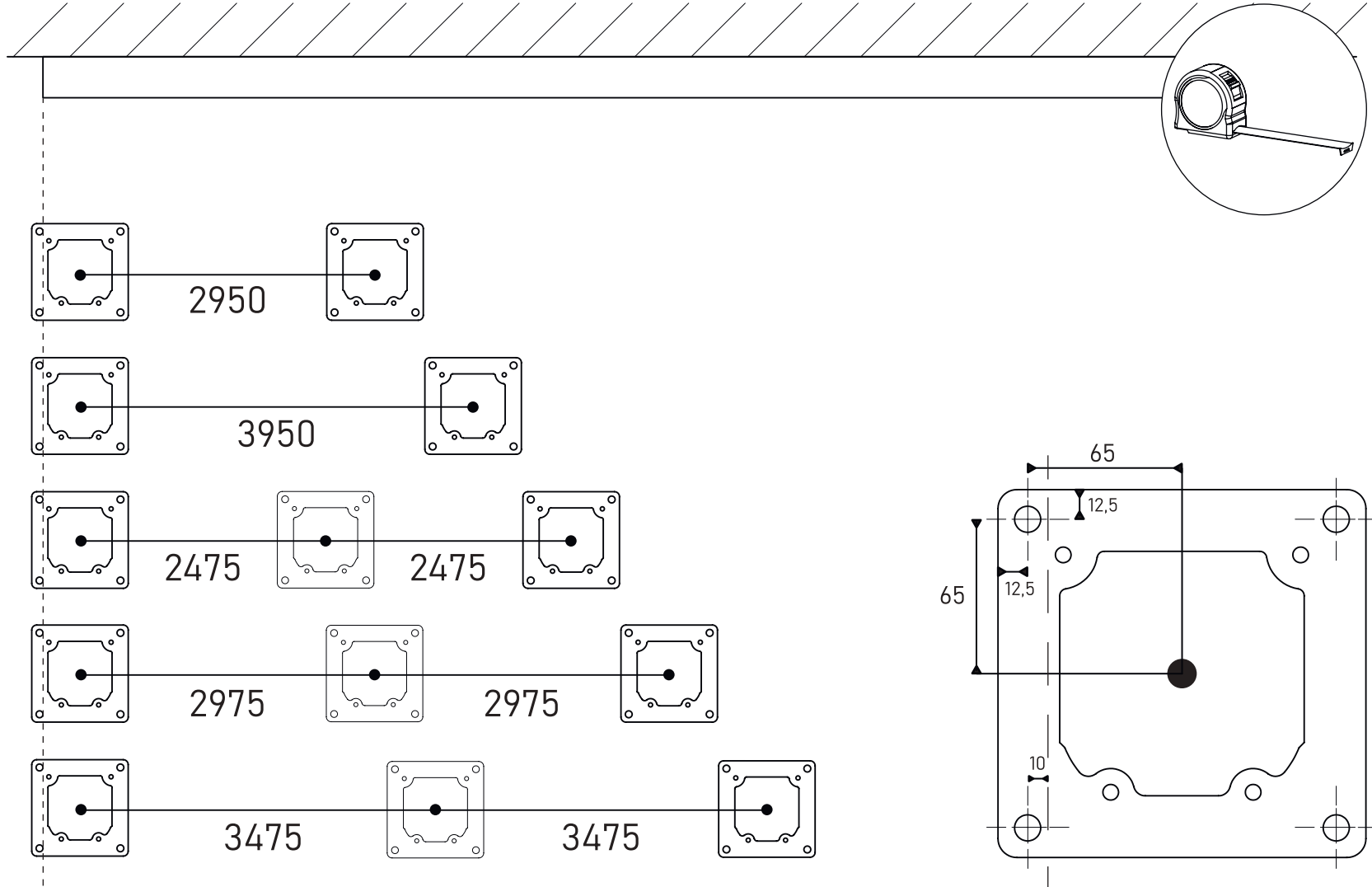
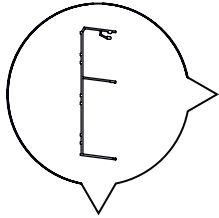
12

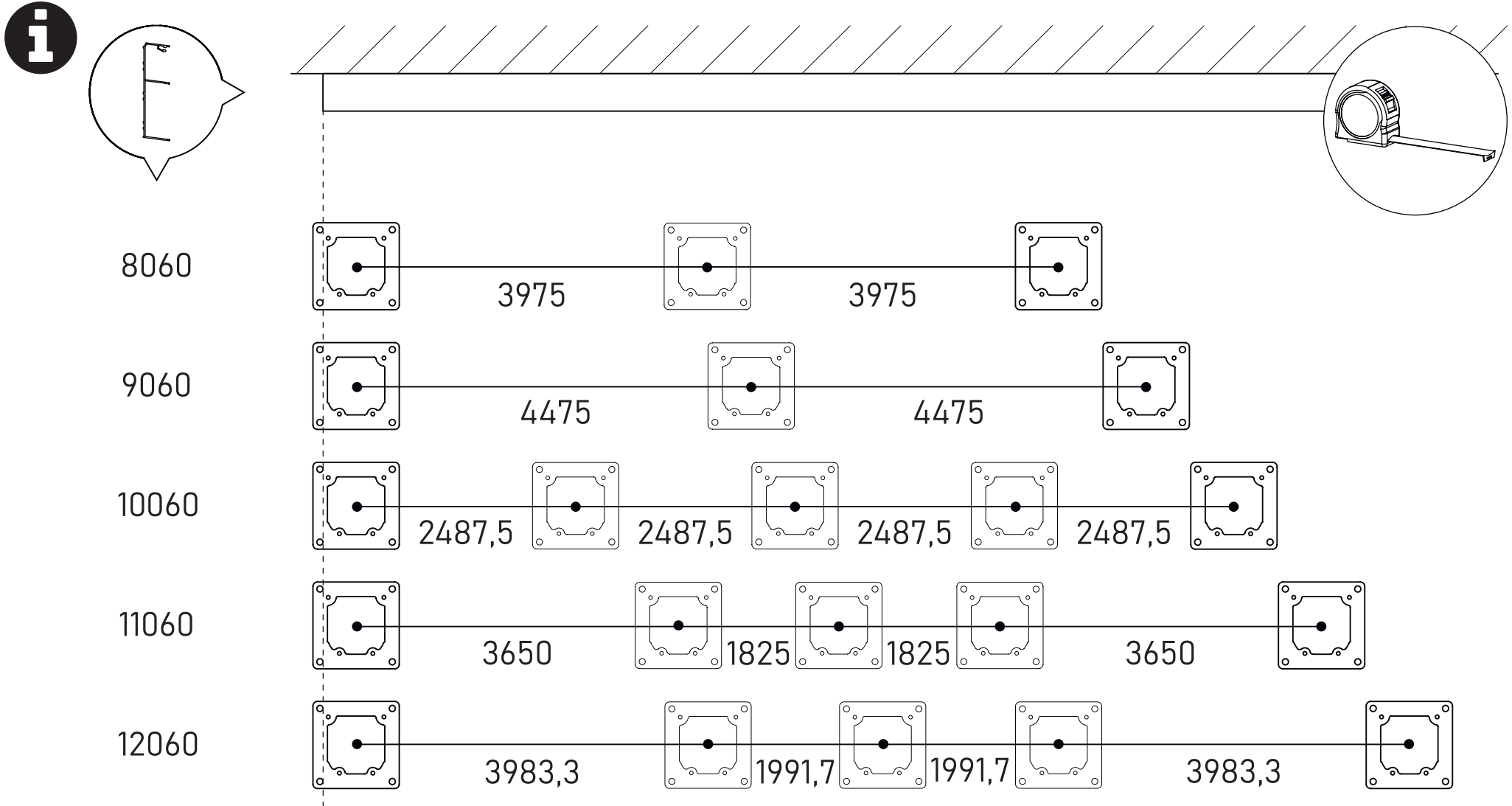


13



*Temporary

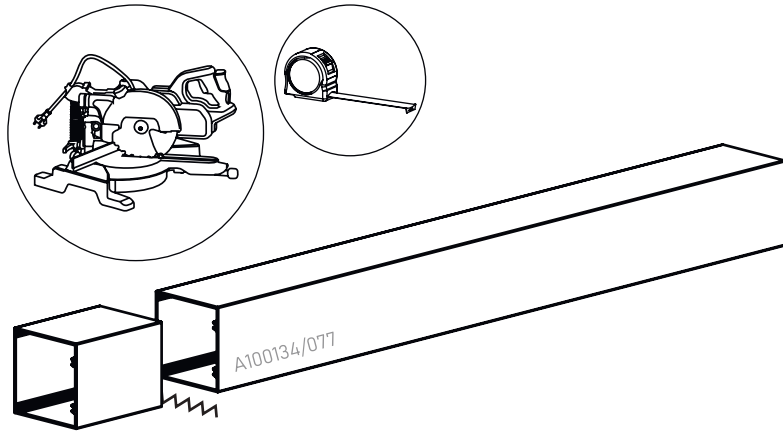




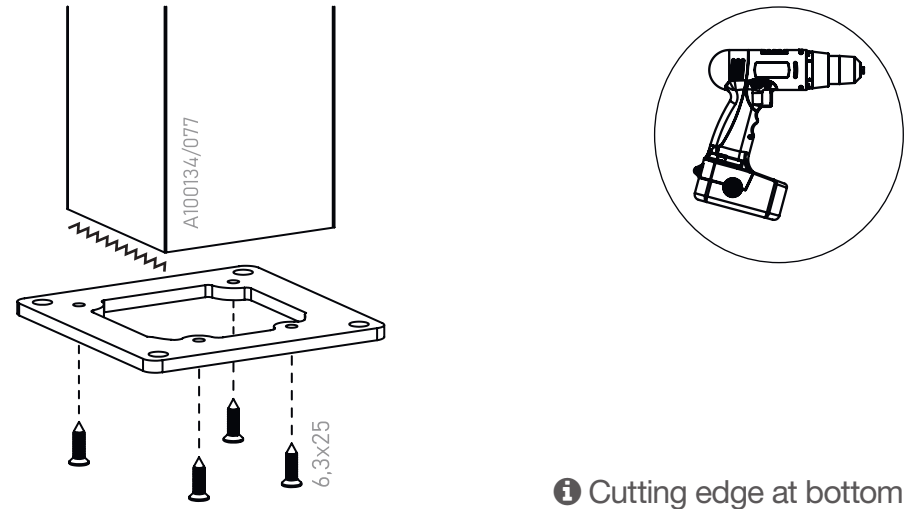
Assembly

Support posts with concrete base

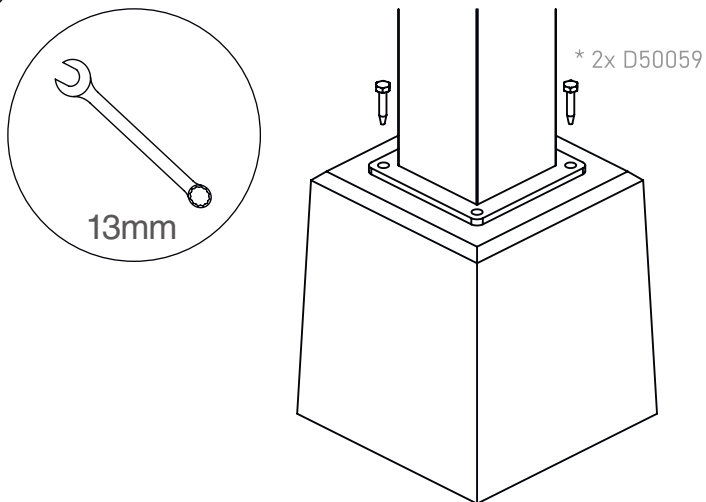
14



15



16



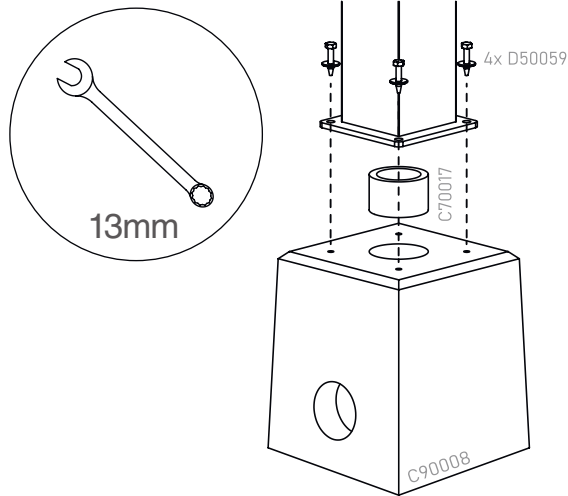
i



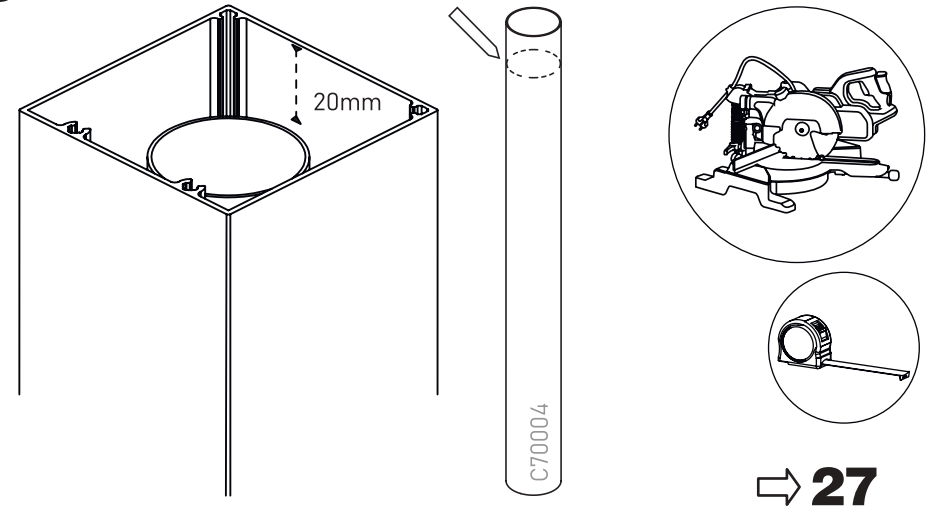
*Temporary

i For more than 2 posts

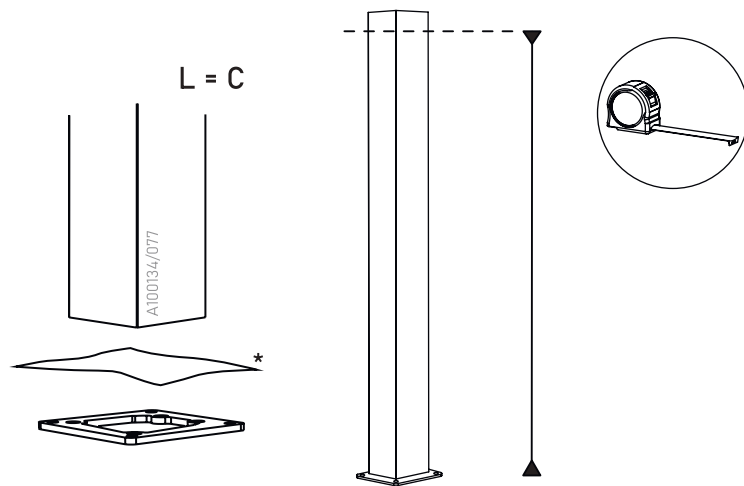
17



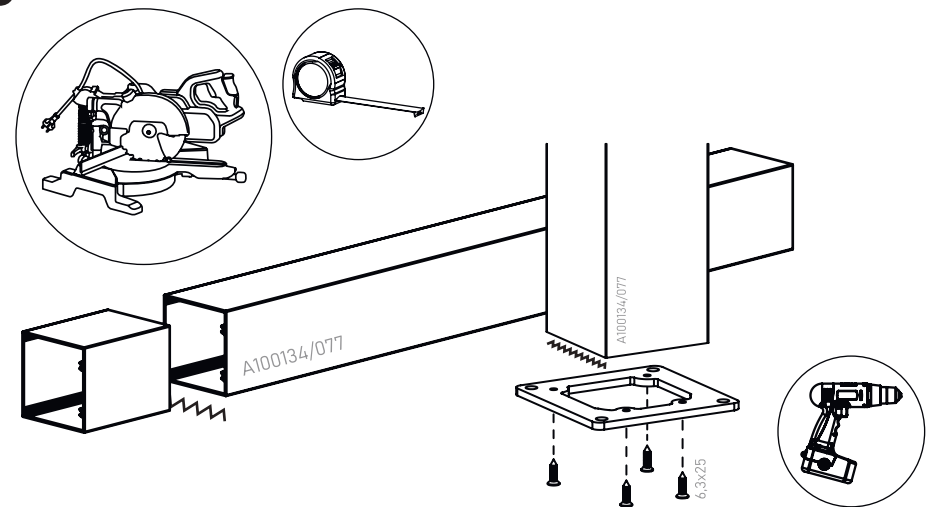
18



19



20

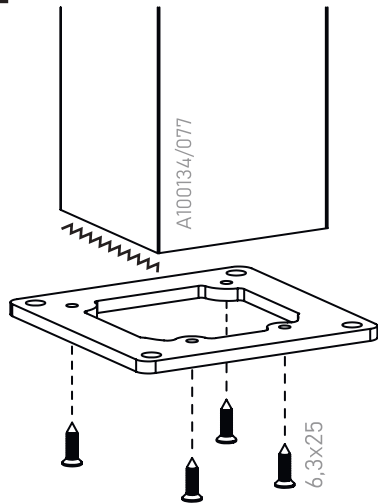


i C corresponds to passage height (see step 1)

Assembly

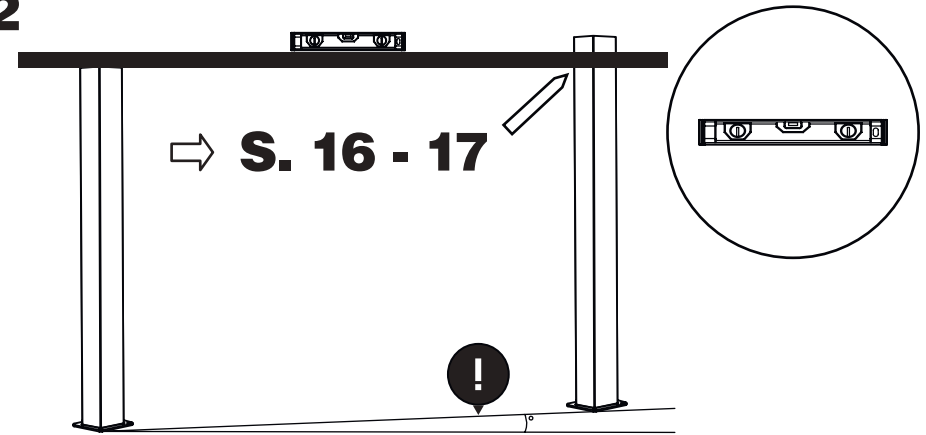
Support posts ground mounting

21



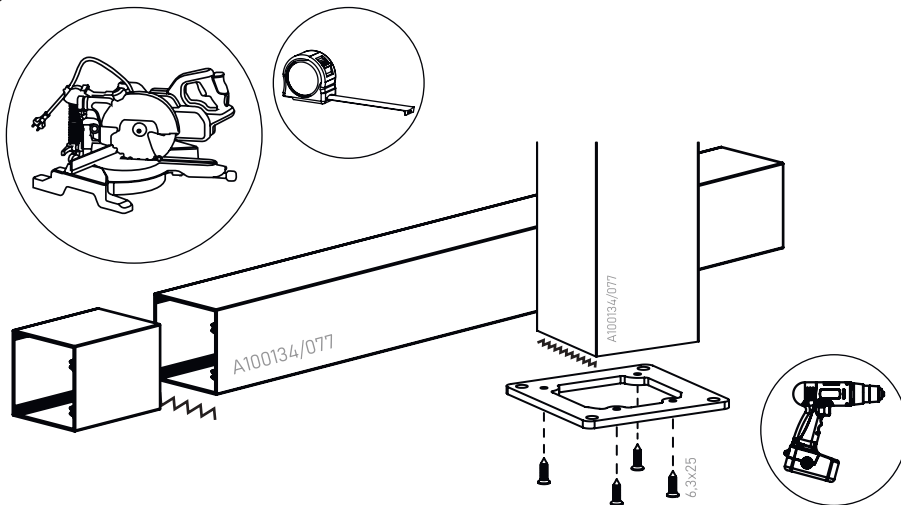
i Cutting edge at bottom

22

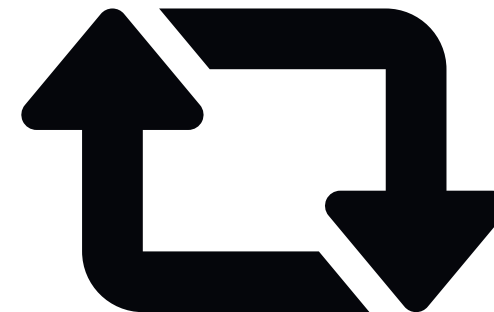


i Pay attention to uneven floors

23

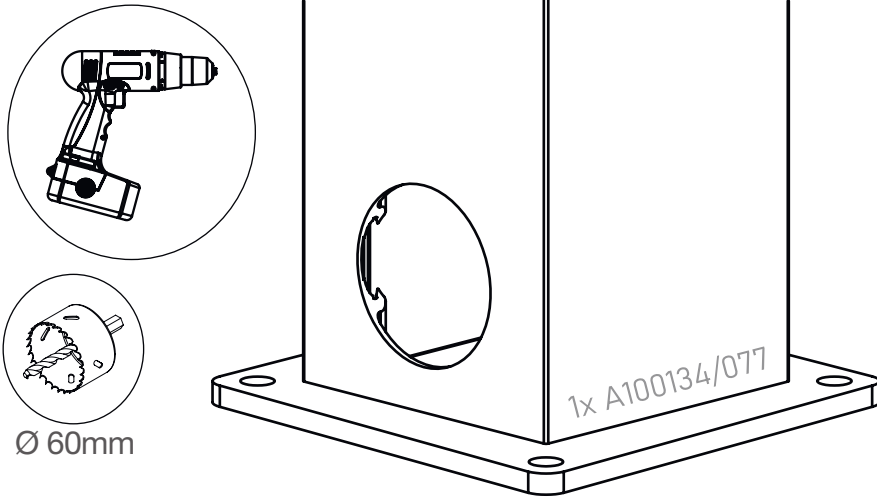


i

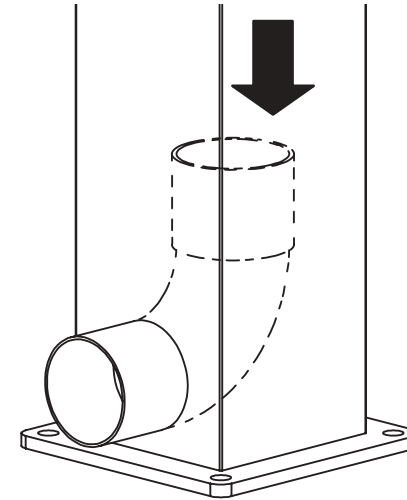


22 - 23

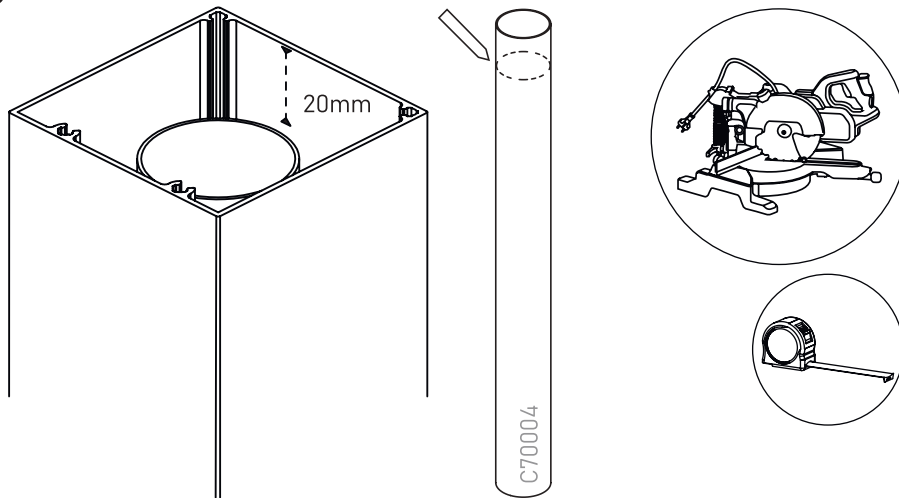
24



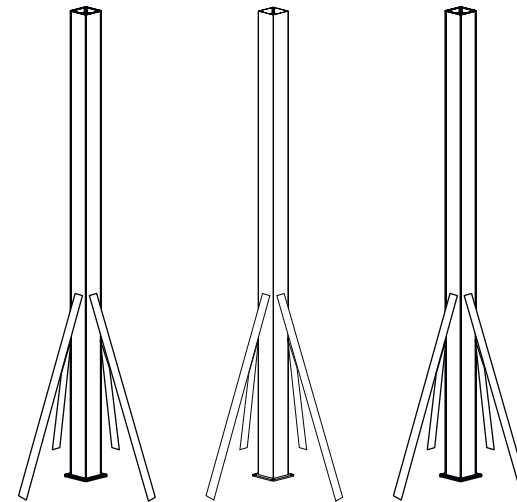
25



26

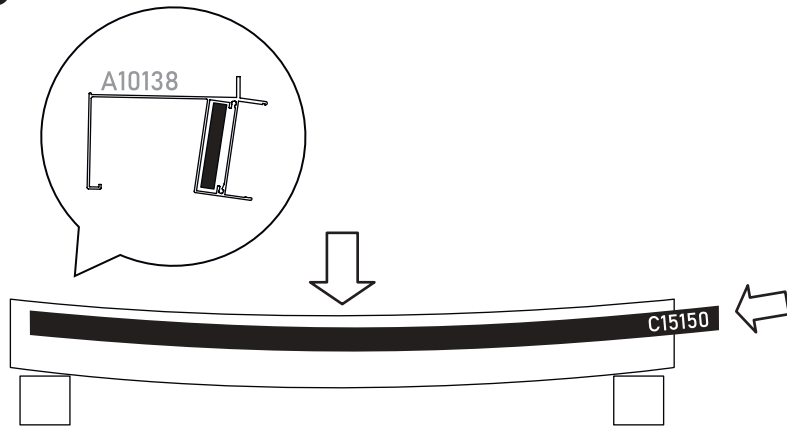


27



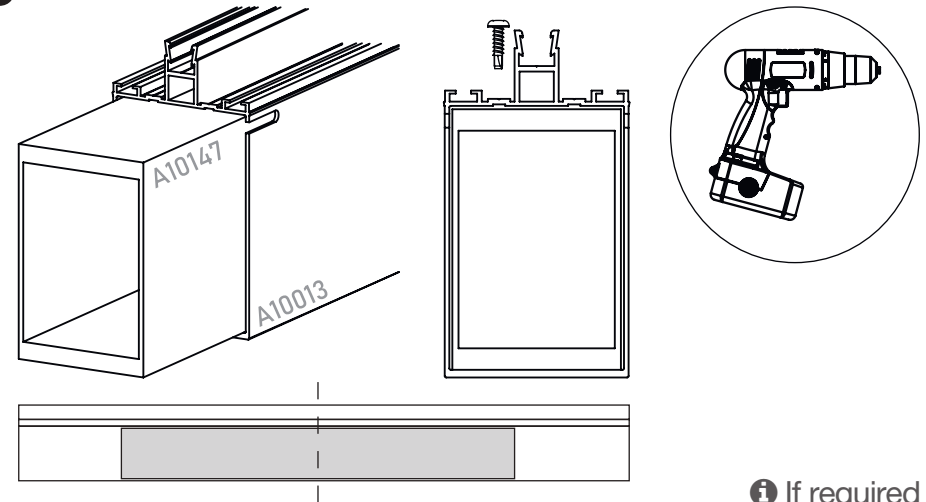
i Support the posts sufficiently

28



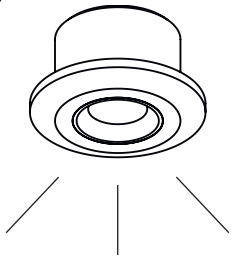
i If required

29

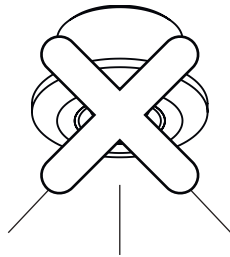


i If required

i



⇒ **30**



⇒ **34**

i

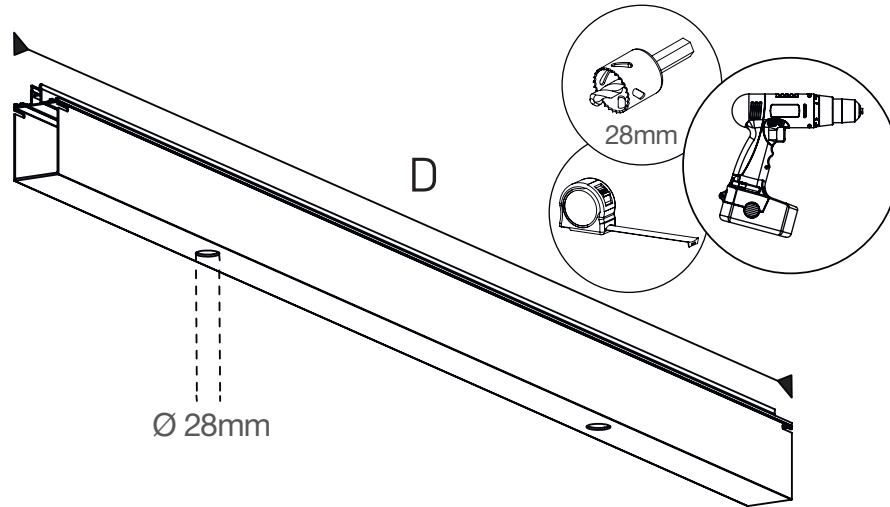
Lighting

The number of recessed LED spotlights can be selected according to personal preference. It is recommended that the lighting is only installed within the intermediate rafters.

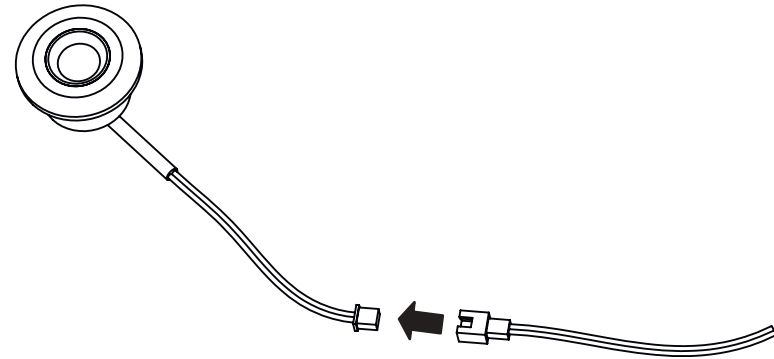
With one spotlight per internal rafter, this should be positioned in the centre of the rafter length. If there are two spots per inner rafter, we recommend dividing them into thirds or positioning each spot 25% of the length of the rafter measured from the respective outer edge.

i Lighting optionally available

30

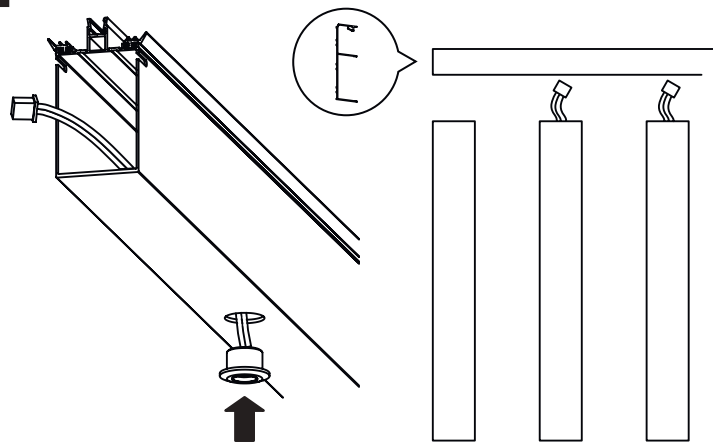


31



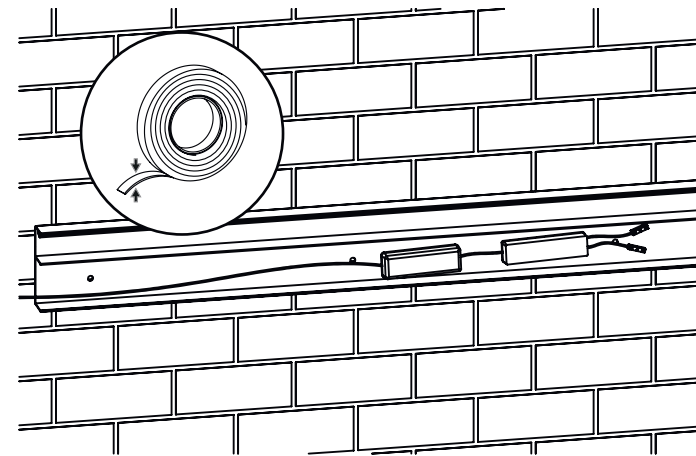
i Connection according to the LED lighting instructions

32



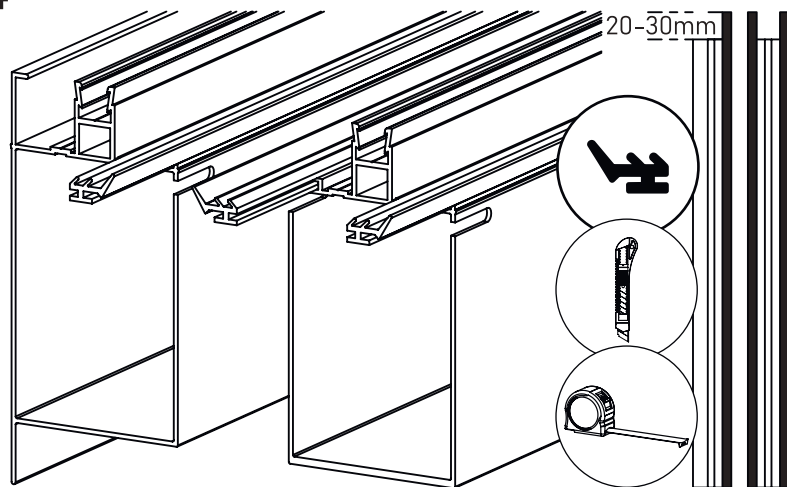
i Extension cable if required, optionally available

33

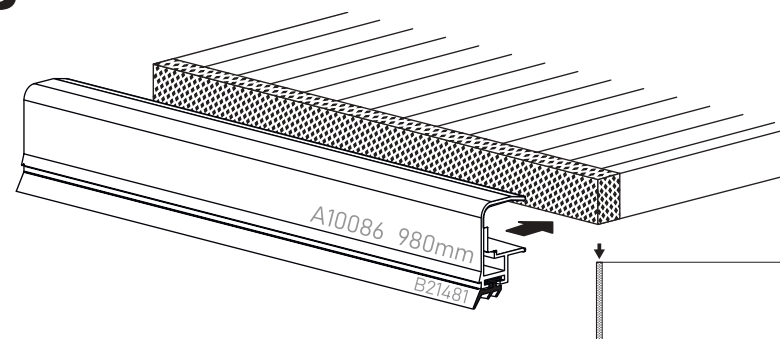


i Double-sided adhesive tape, if required

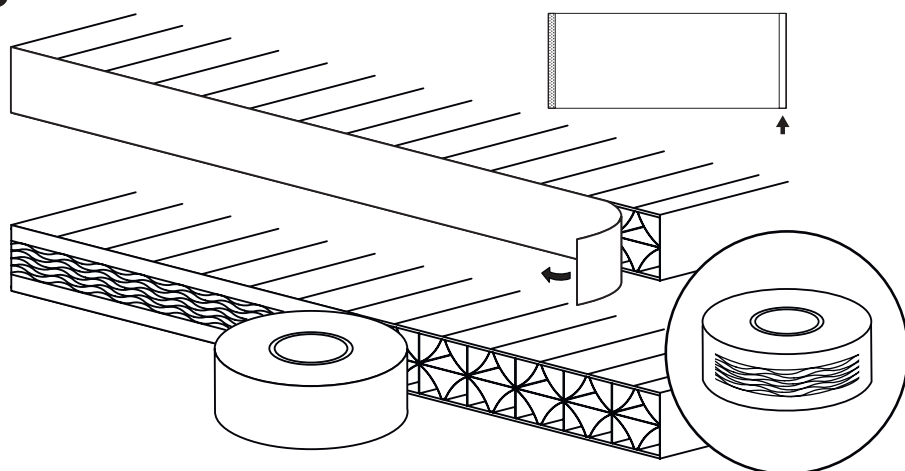
34



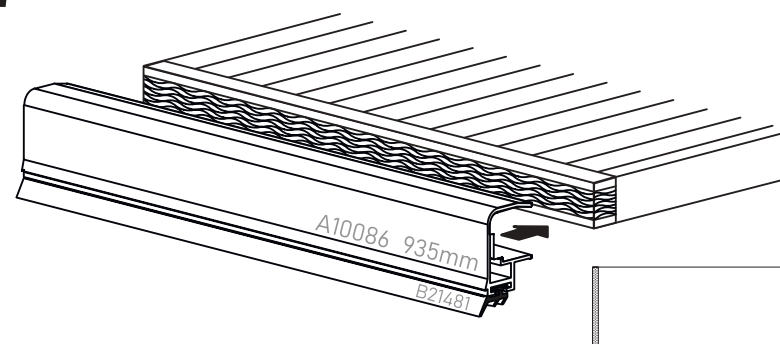
35



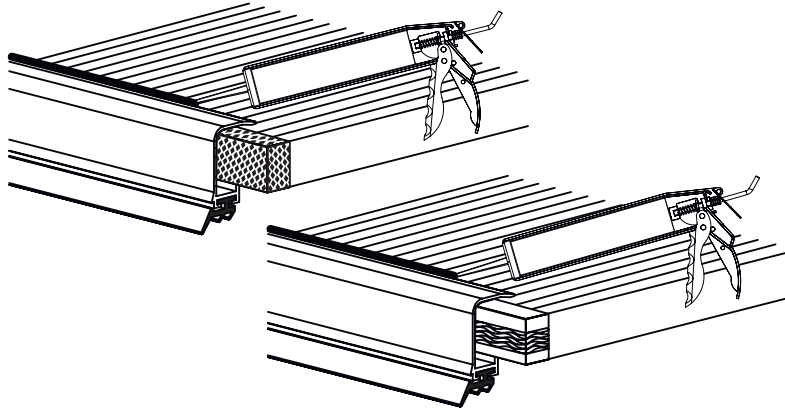
36



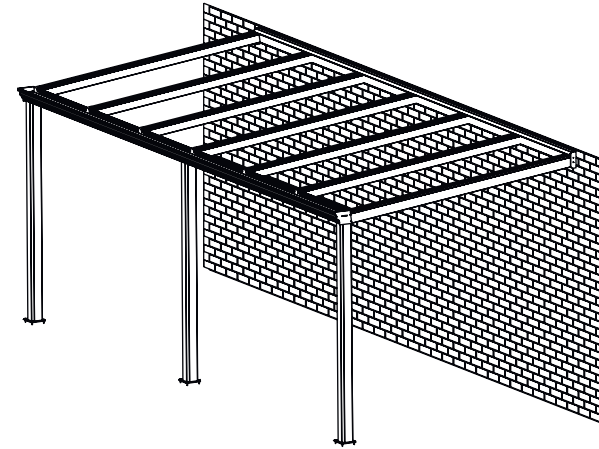
37



38

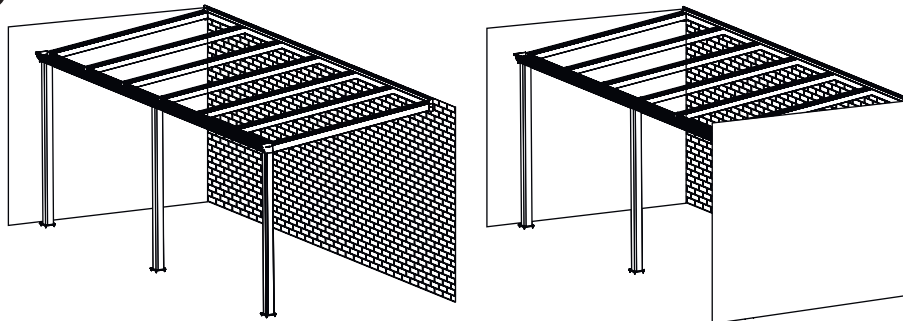


i



⇒ 42

i



⇒ 39

i

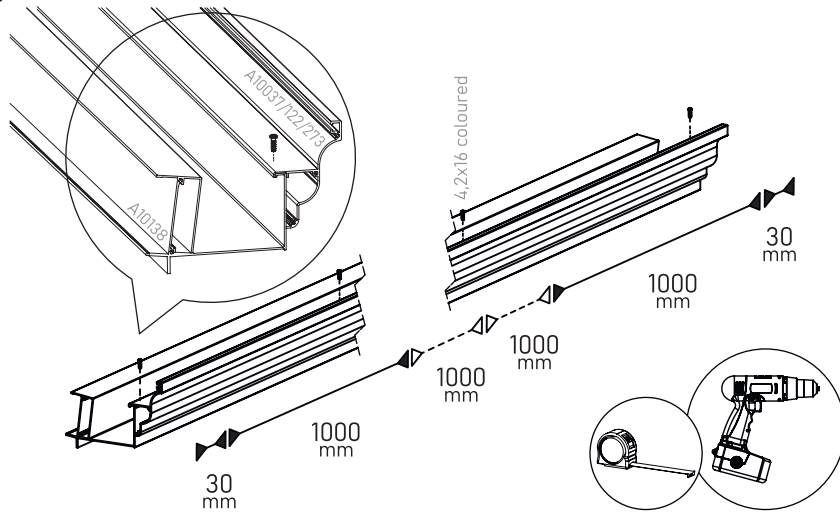
NOTICE!

The following steps refer to installation with a wall adjacent to one or both sides.

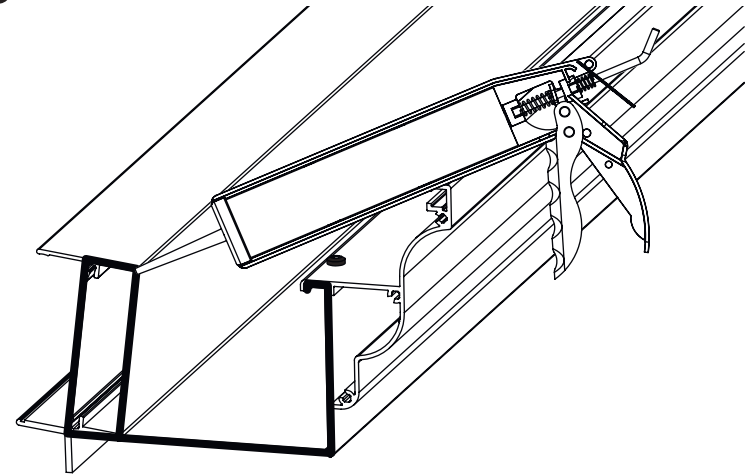
In these steps, the gutter (A10138) only needs to be sealed on the side adjacent to the wall.

i The following illustrations show the gutter cover in the classic design, as well as a covering end cap in classic design. The procedure is identical for the components with a rounded or square profile.

39

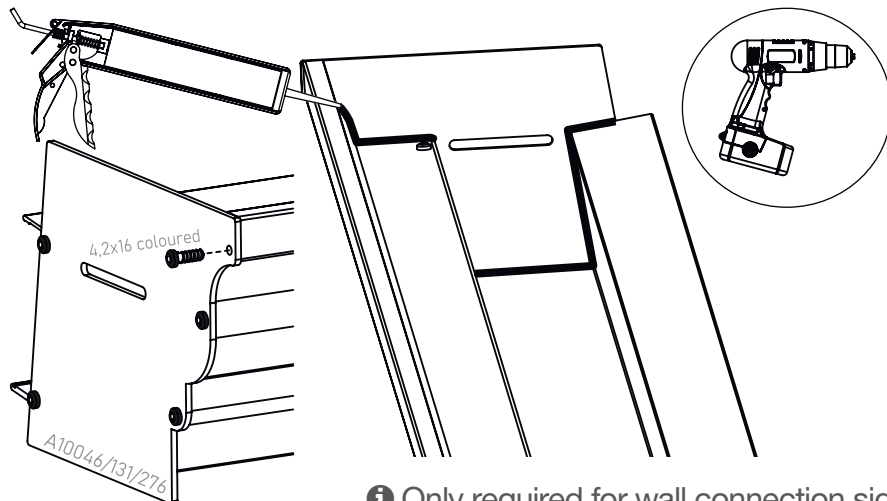


40



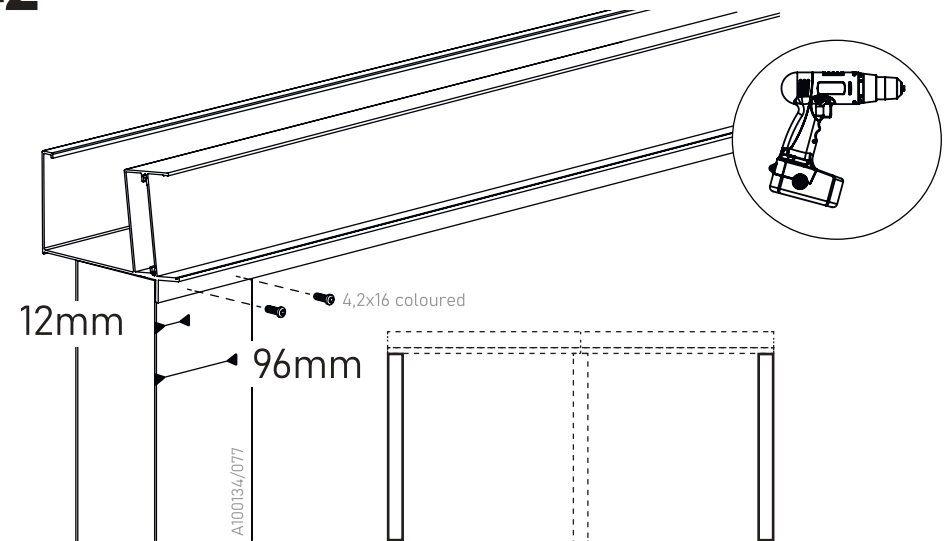
i Only required for wall connection side

41

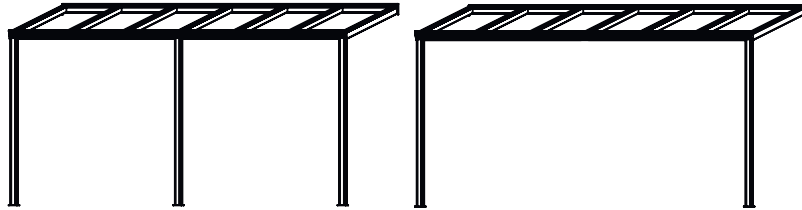


i Only required for wall connection side

42



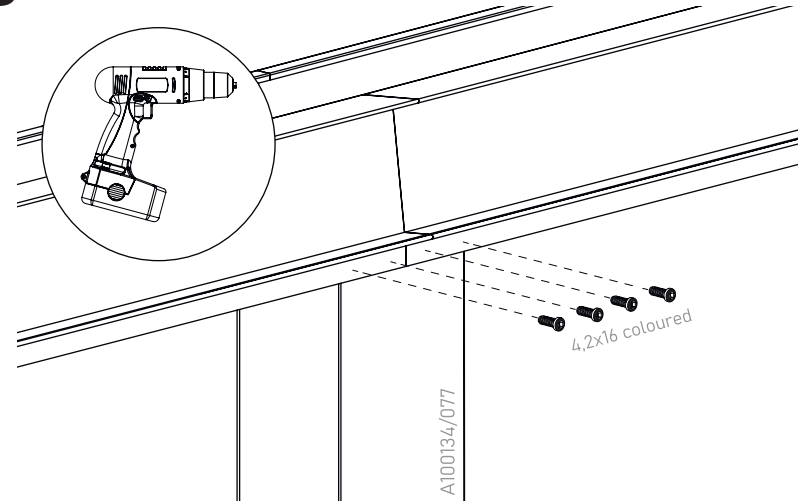
i



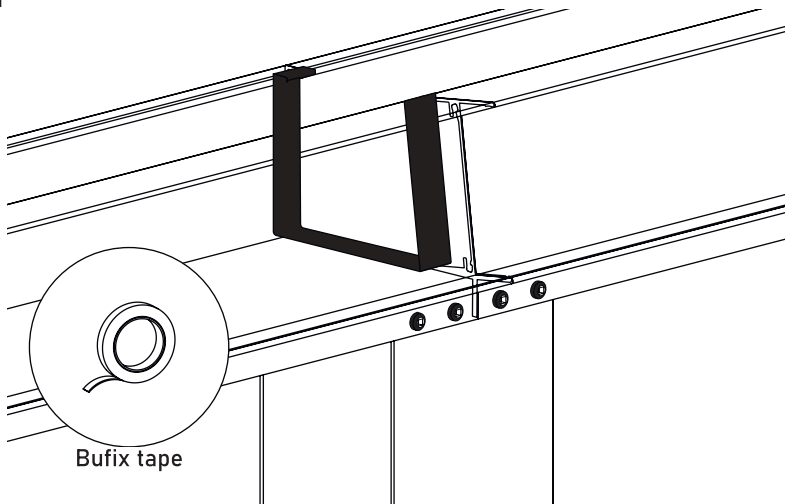
⇒ **43**

⇒ **46**

43

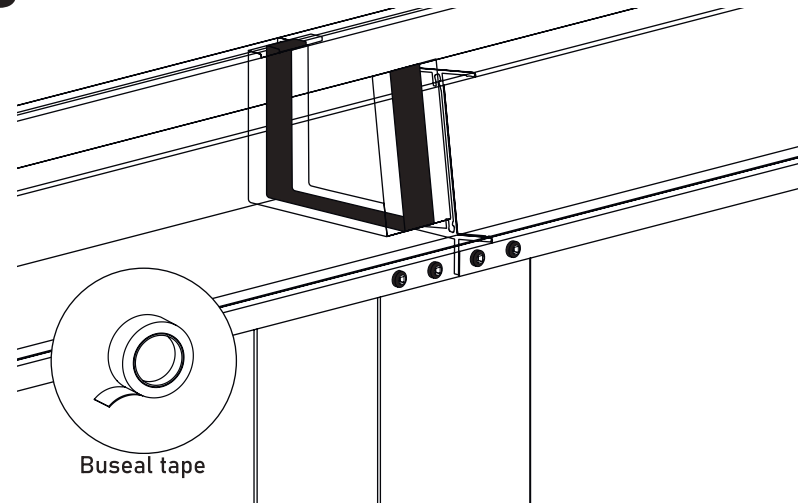


44



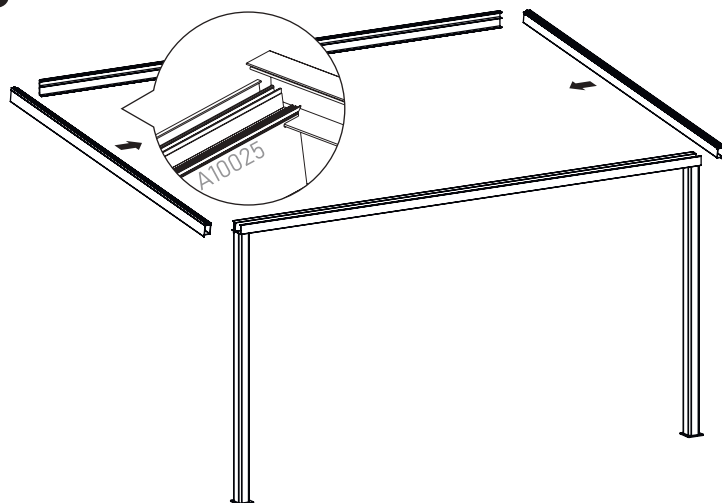
Bifix tape

45

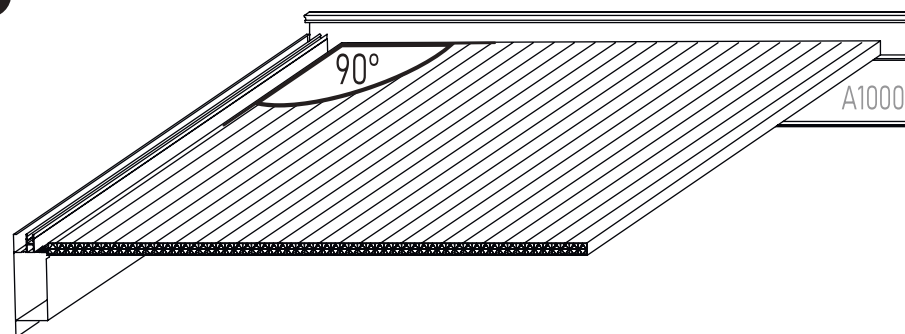


Buseal tape

46

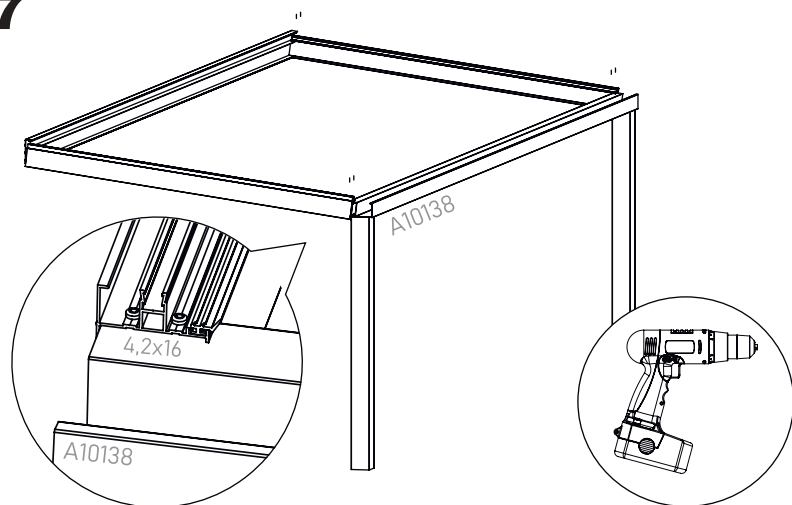


i

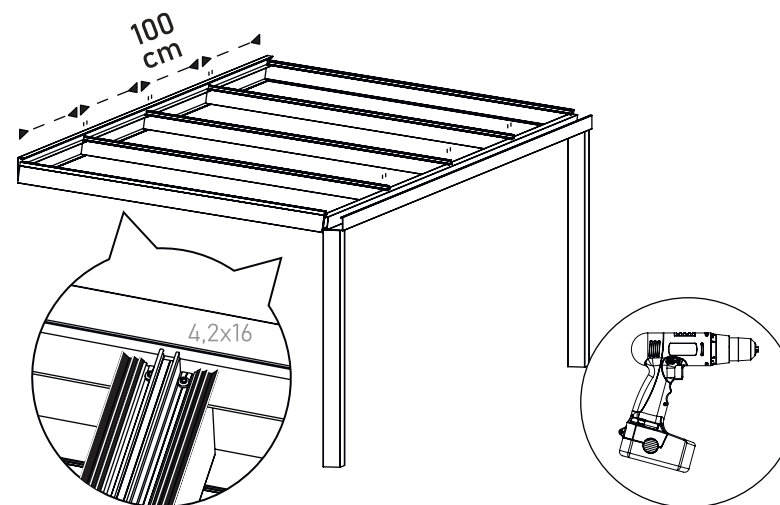


i A panel facilitates alignment

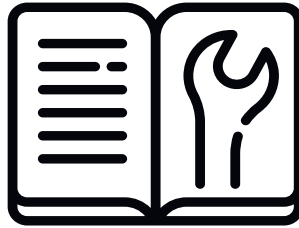
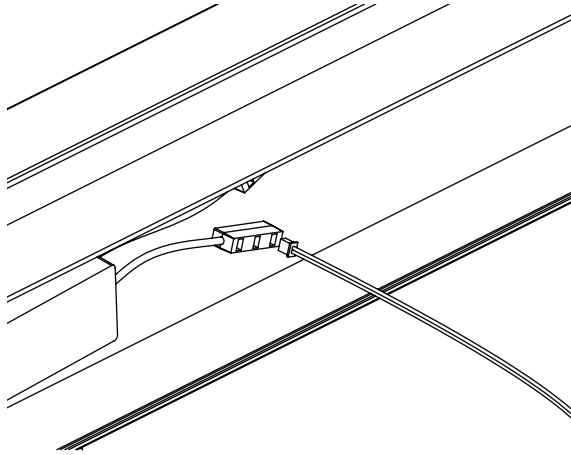
47



48



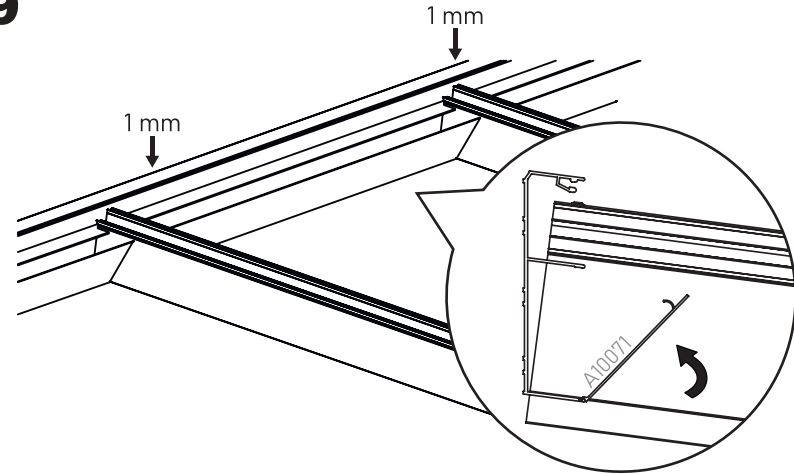
i



Use the manufacturer's manual to connect the lighting.

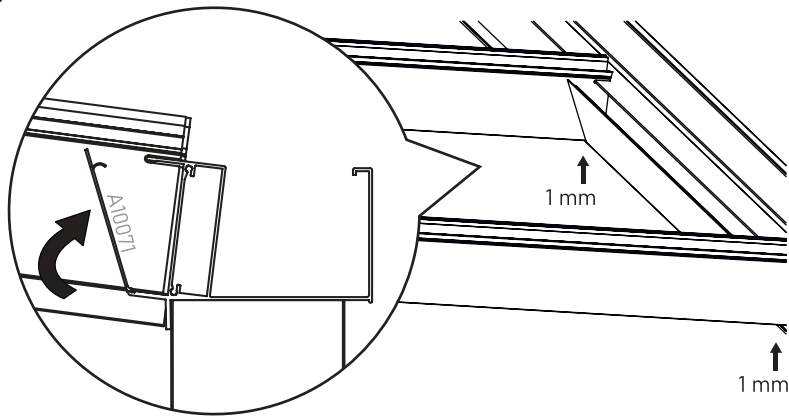
i Only required with optional lighting

49



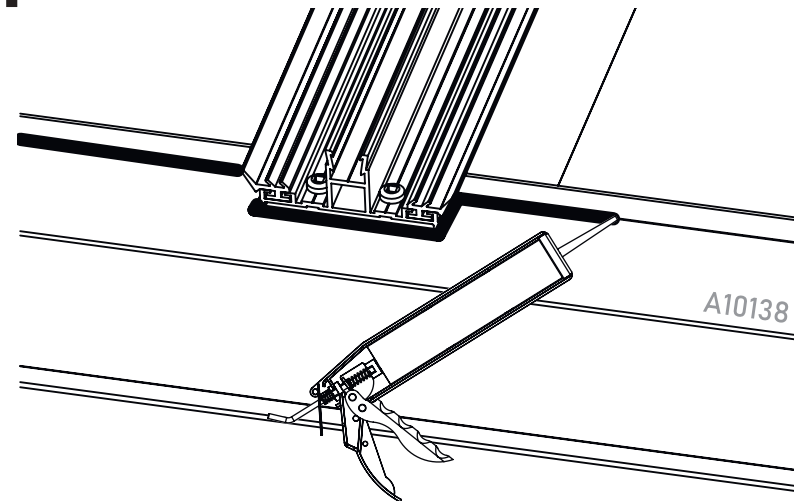
i Click cover on wall side

50

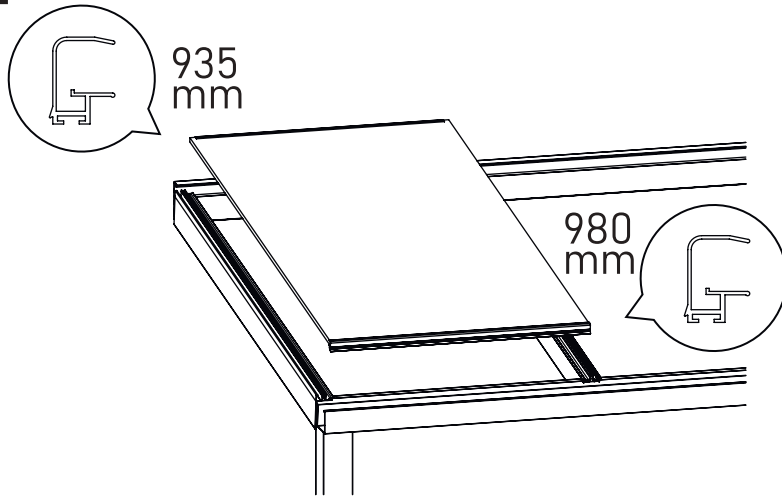


i Click cover on gutter side

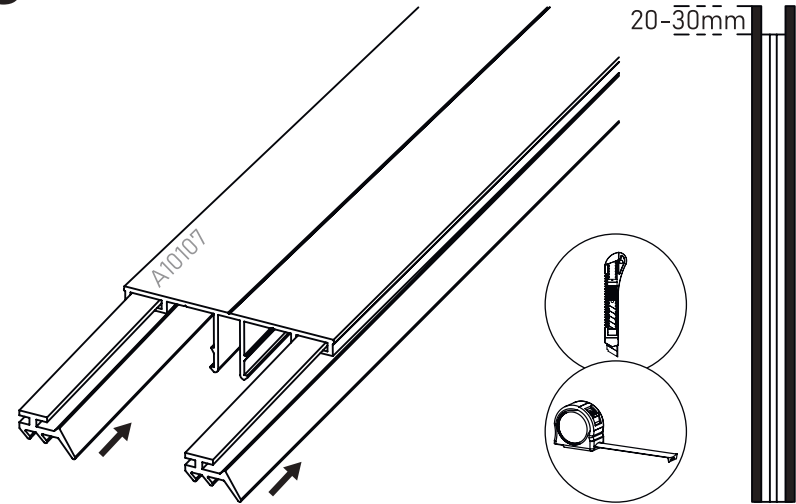
51



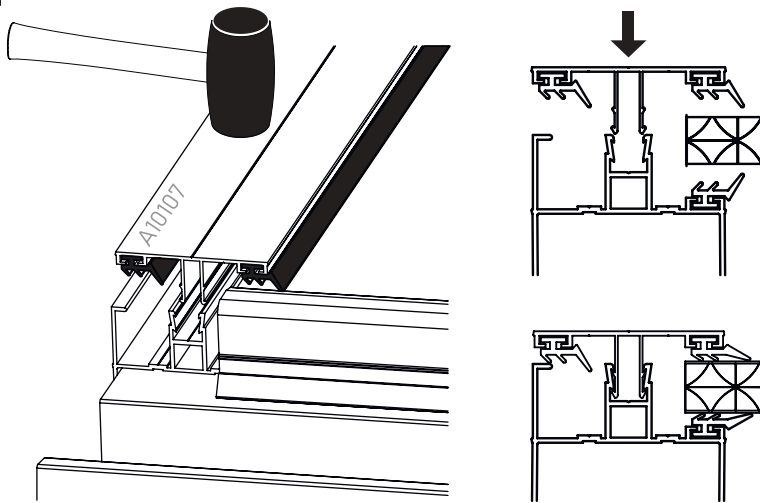
52



53



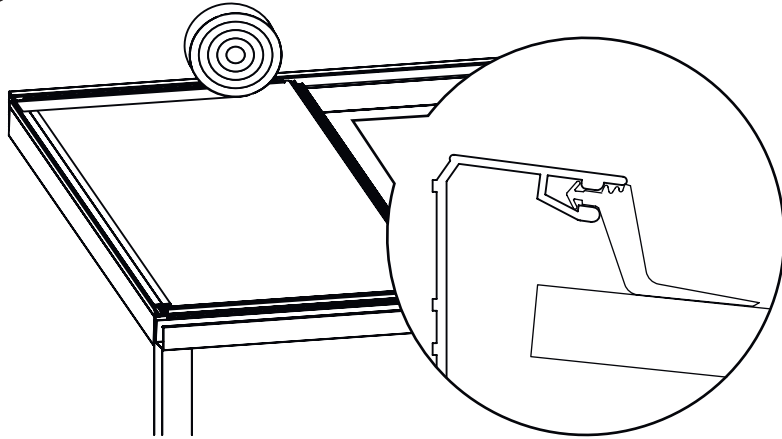
54



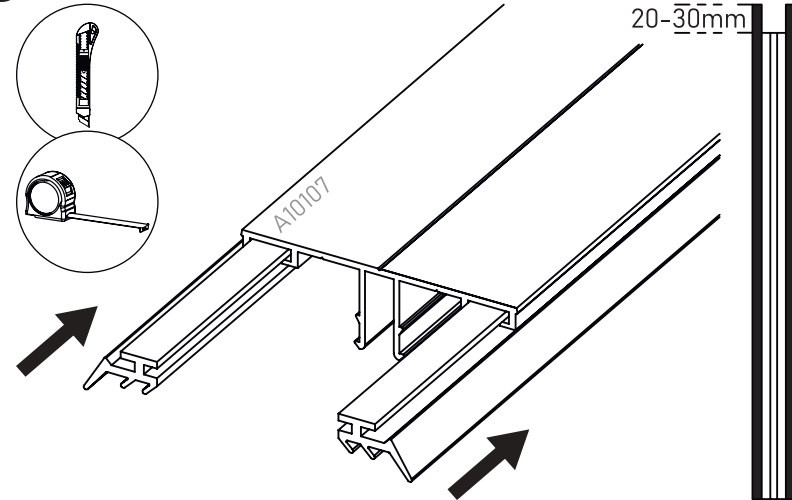
i



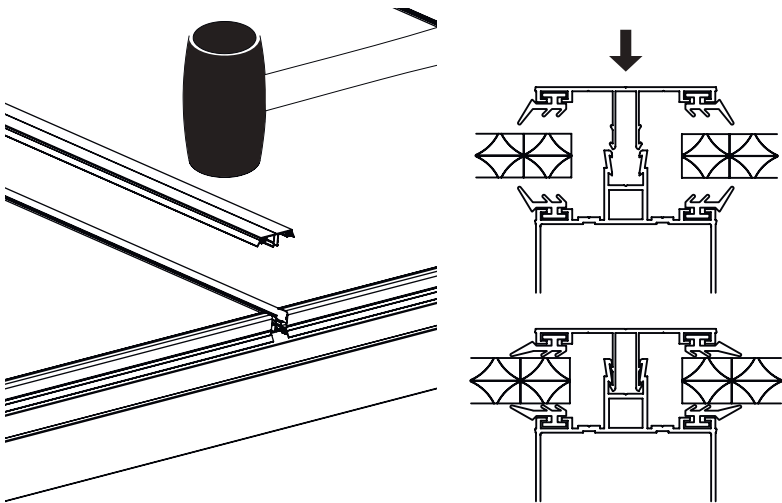
55



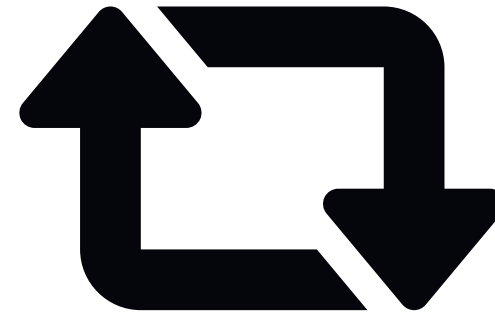
56



57



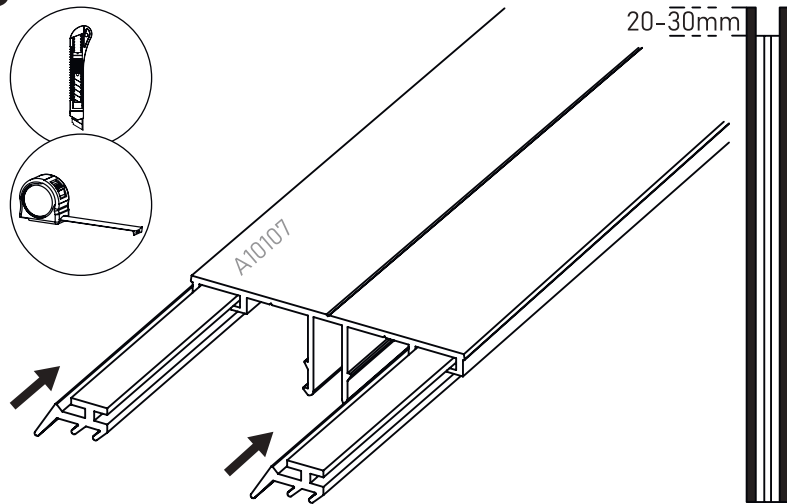
i



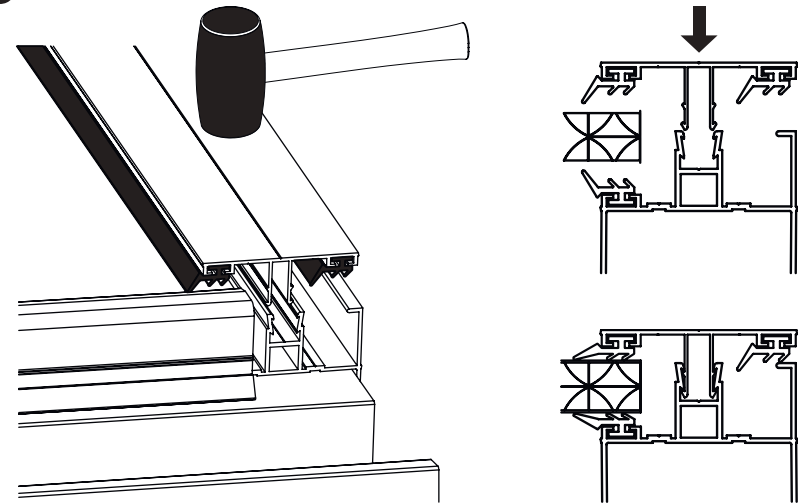
55 - 57

i For each intermediate rafter

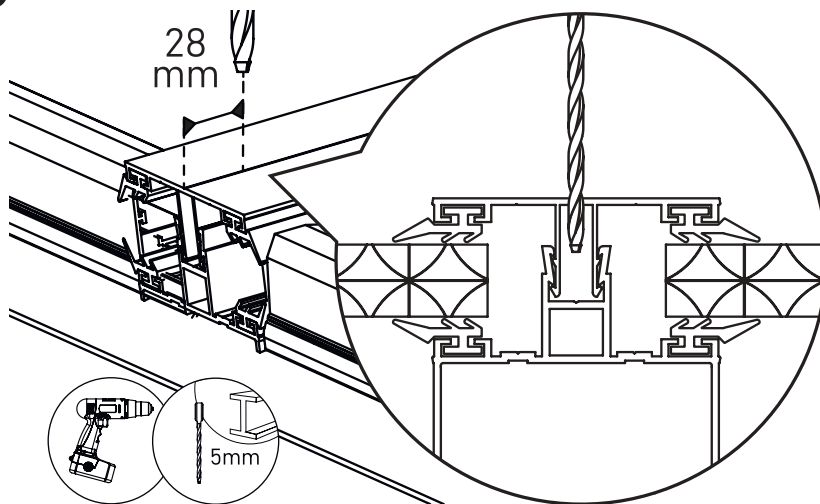
58



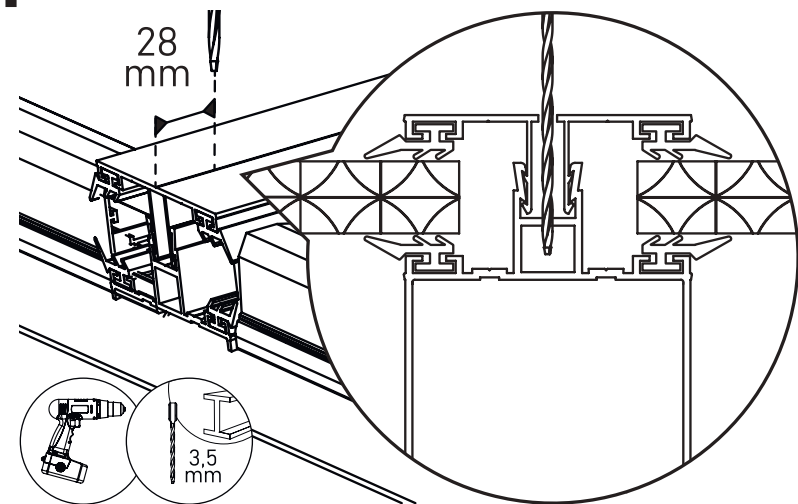
59



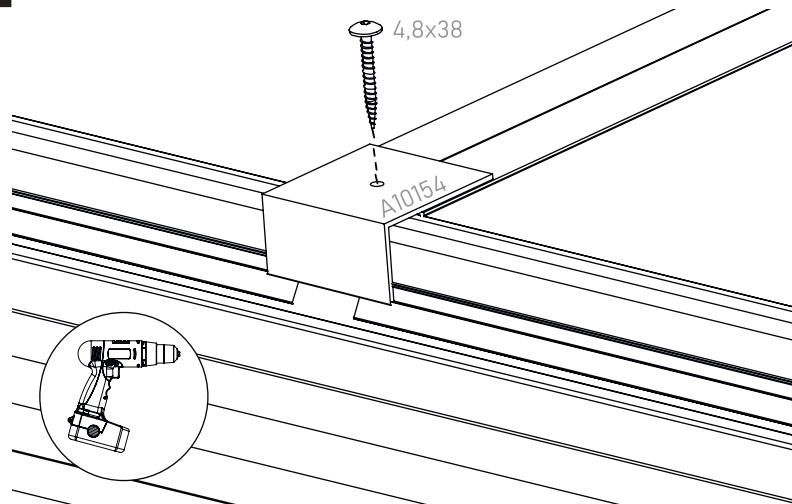
60



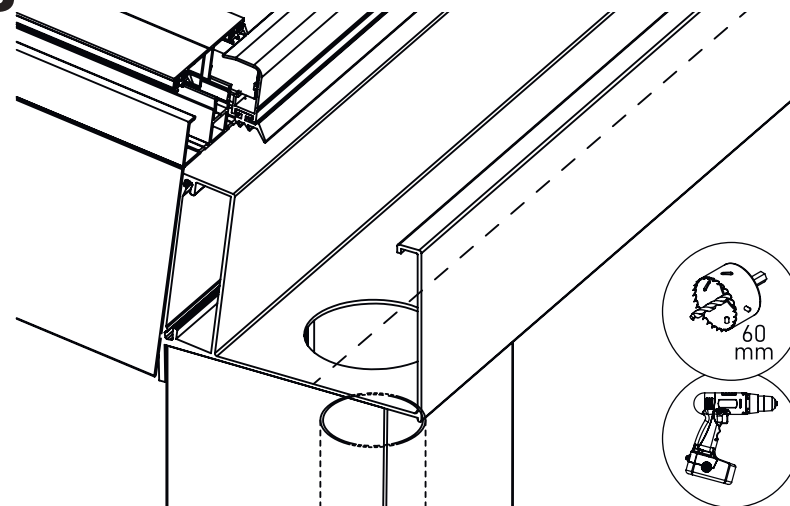
61



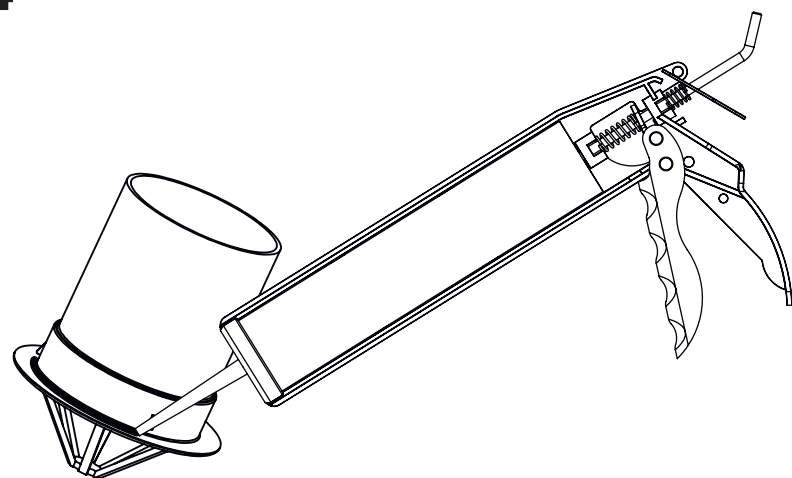
62



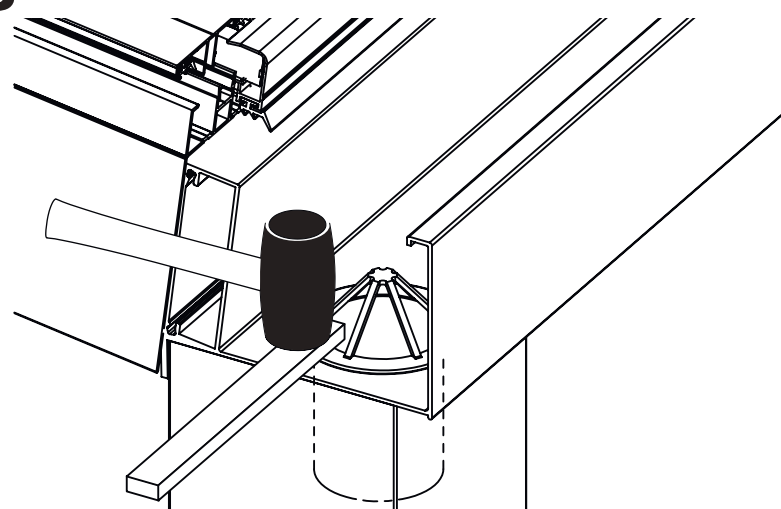
63



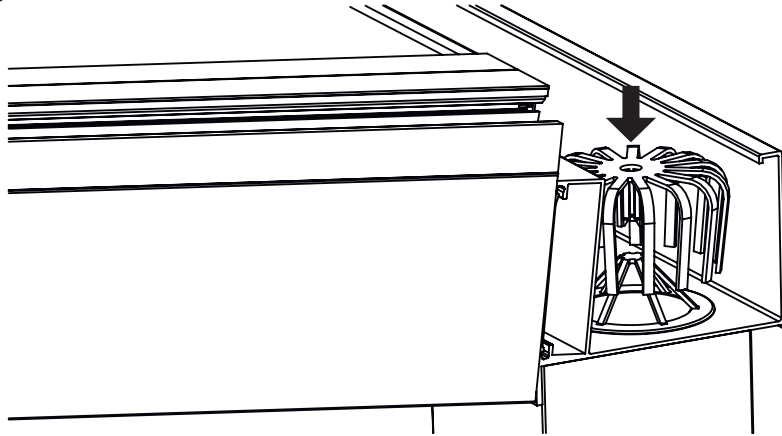
64



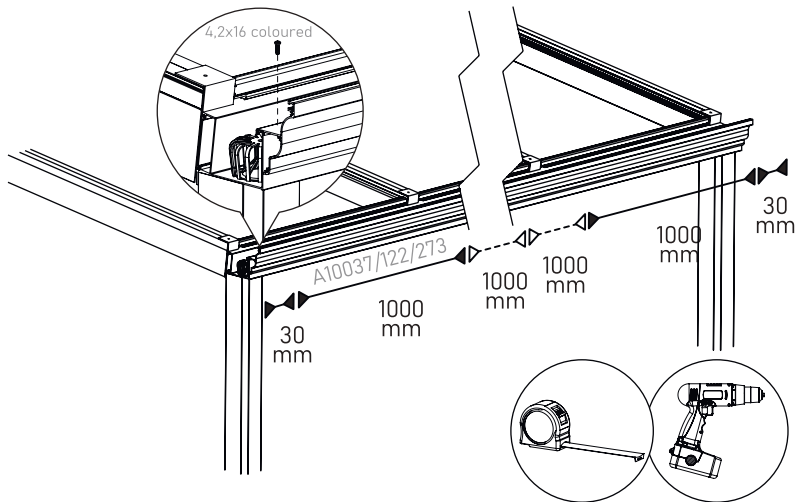
65



66



67



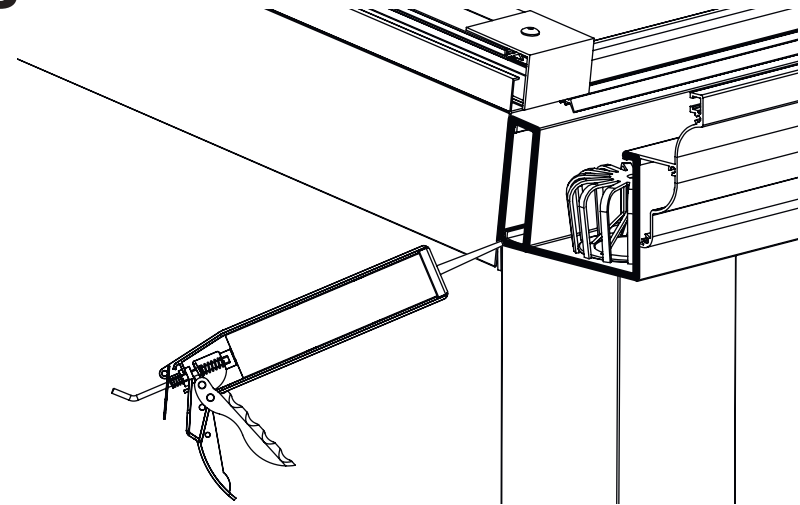
i

NOTICE!

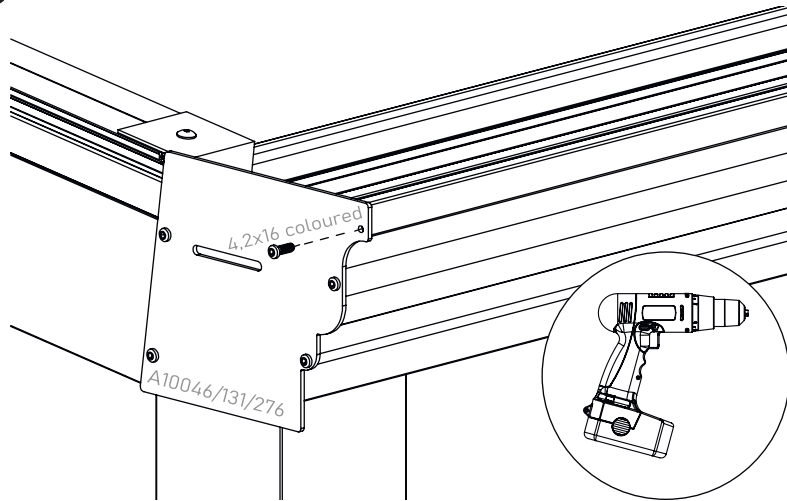
The following steps 67 - 69 are only necessary if this has not already been carried out on both sides in step 39 with the wall adjacent to the side.

i The following illustrations show the channel cover and end cap in classic design. The procedure is identical for the components with a rounded or square profile shape.

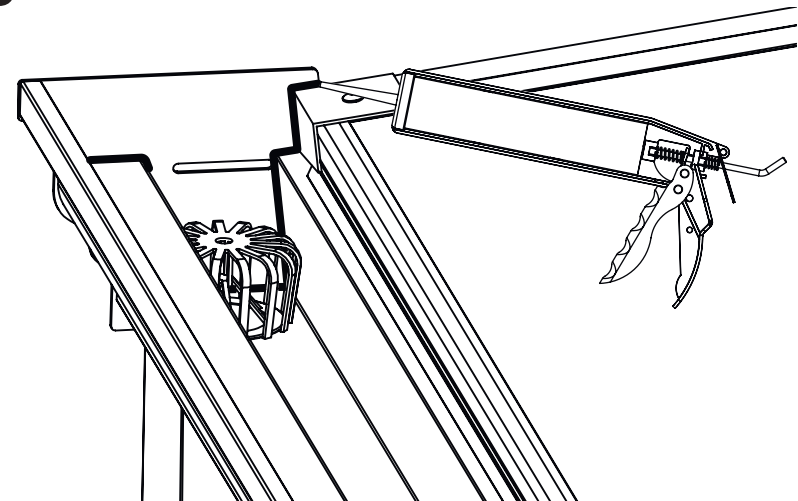
68



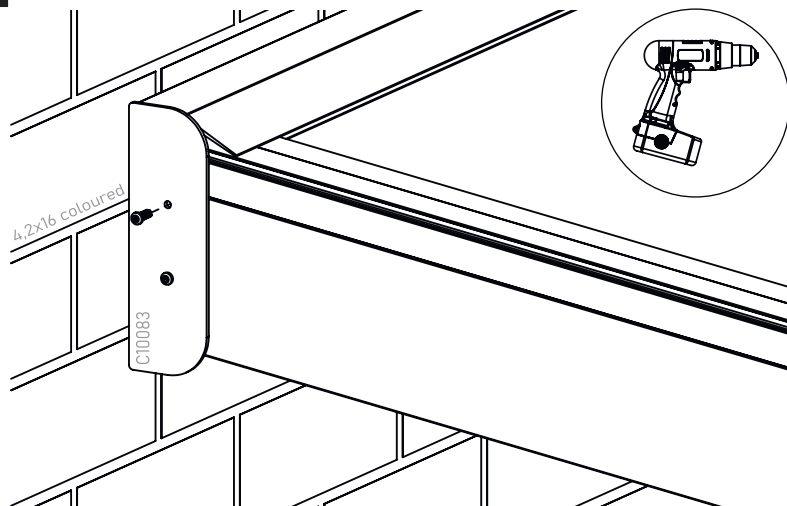
69



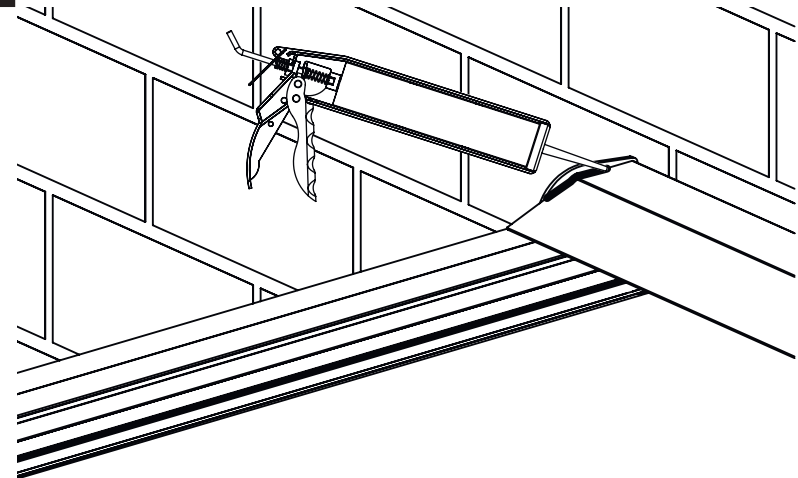
70



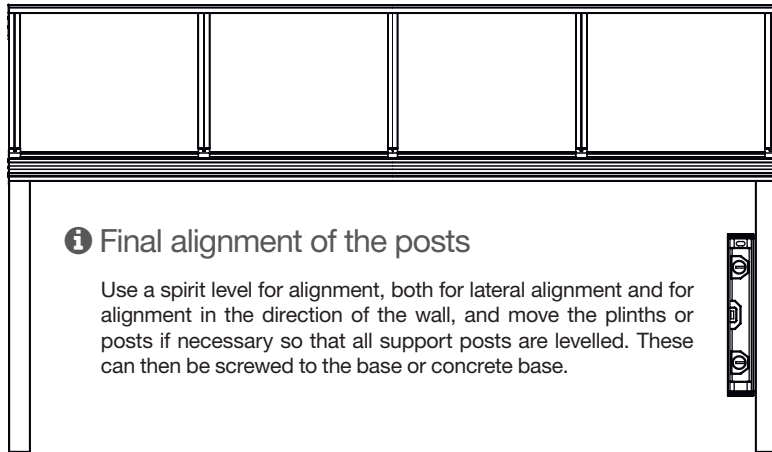
71



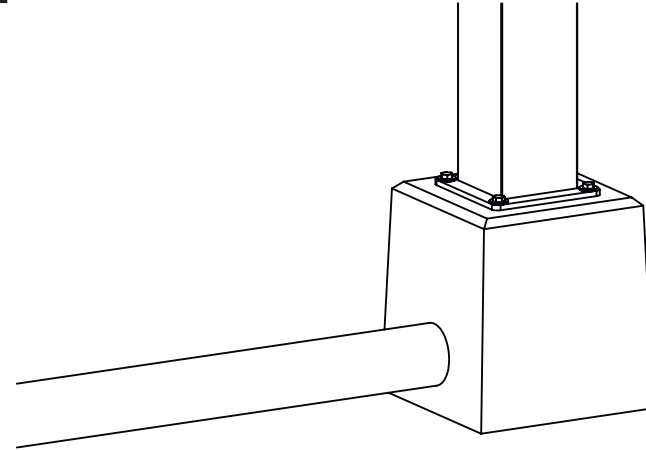
72



73

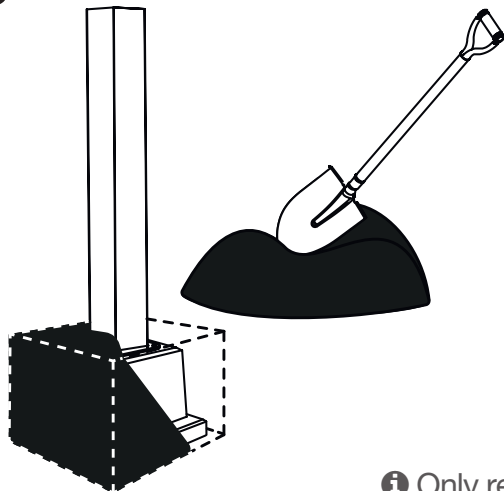


74



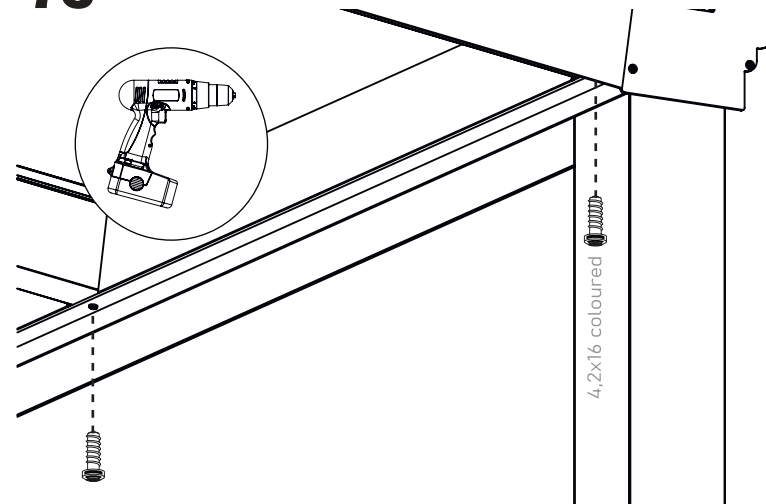
i Only required for concrete base with drainage

75



i Only required for concrete bases or poured concrete foundation required

76



Component designation

Art-Nr.	Bezeichnung
A10001	Wall mounting profile
A10138	Gutter
A10273	Front profile square design
A10122	Front profile rounded design
A10134	Support post square design
A10077	Support post rounded design
A10025	Side rafter
A10013	Intermediate rafter
A10147	Reinforcement rafter
C15150	Steel-reinforcement gutter
A10071	Inner cover profile / click panel
A10107	Upper cover profile intermediate rafter
E33001	Twin-wall polycarbonate sheet (opal / transparent)
A15100	Base plate for support posts
C10083	Cover profile for wall mounting profile

Art-Nr.	Bezeichnung
A10276	End cap gutter square design
A10131	End cap gutter rounded design
A10086	Nose profile
B21481	Rubber seal for rafter
B25501	Rubber seal for wall mounting profile
A10154	Cover plate fixation
C70004	Pipe PVC for drainage
C70011	90°-elbow PVC for drainage
C70012	Leaf catcher for gutter
C70071	Gutter outlet
C70017	Adapter PVC for pipe
D50051	Nail plug 8x60mm for wall mounting in stone
D50059	Bolt M8x30 with washer for support post
C90008	Concrete base with integrated drainage
C90010	Concrete base without integrated drainage

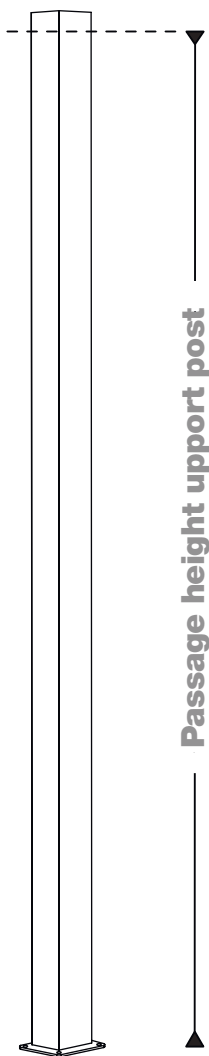


NOTICE!

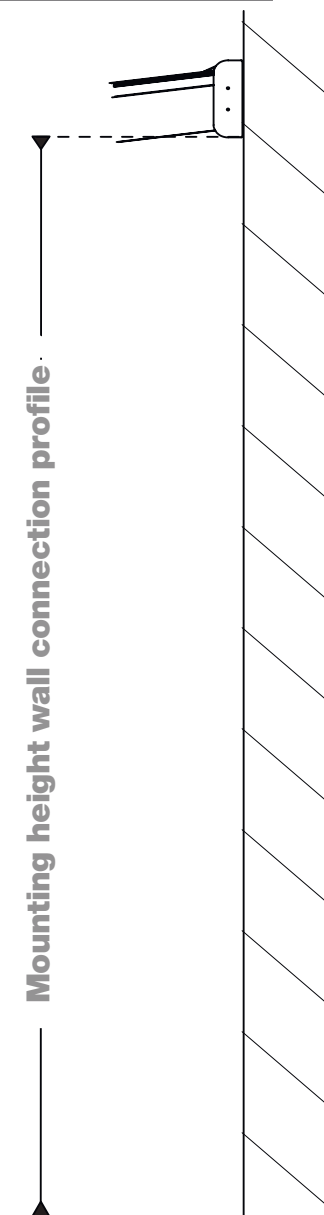
The number and design of the respective components may vary depending on the configuration and size of the roofing.

In addition, not every terrace roof is equipped with rafter and gutter reinforcement.

Inclination table



Height C	Roof depth D						
	200 cm	250 cm	300 cm	350 cm	400 cm	450 cm	500 cm
170 cm	196,0 cm	202,5 cm	209,0 cm	215,5 cm	222,0 cm	228,5 cm	235,0 cm
175 cm	201,0 cm	207,5 cm	214,0 cm	220,5 cm	227,0 cm	233,5 cm	240,0 cm
180 cm	206,0 cm	212,5 cm	219,0 cm	225,5 cm	232,0 cm	238,5 cm	245,0 cm
185 cm	211,0 cm	217,5 cm	224,0 cm	230,5 cm	237,0 cm	243,5 cm	250,0 cm
190 cm	216,0 cm	222,5 cm	229,0 cm	235,5 cm	242,0 cm	248,5 cm	255,0 cm
195 cm	221,0 cm	227,5 cm	234,0 cm	240,5 cm	247,0 cm	253,5 cm	260,0 cm
200 cm	226,0 cm	232,5 cm	239,0 cm	245,0 cm	252,0 cm	258,5 cm	265,0 cm
205 cm	231,0 cm	237,5 cm	244,0 cm	250,5 cm	257,0 cm	263,5 cm	270,0 cm
210 cm	236,0 cm	242,5 cm	249,0 cm	255,5 cm	262,0 cm	268,5 cm	275,0 cm
215 cm	241,0 cm	247,5 cm	254,0 cm	260,5 cm	267,0 cm	273,5 cm	280,0 cm
220 cm	246,0 cm	252,5 cm	259,0 cm	265,5 cm	272,0 cm	278,5 cm	285,0 cm
225 cm	251,0 cm	257,5 cm	264,0 cm	270,5 cm	277,0 cm	283,5 cm	290,0 cm
230 cm	256,0 cm	262,5 cm	269,0 cm	275,5 cm	282,0 cm	288,5 cm	295,0 cm
235 cm	261,0 cm	267,5 cm	274,0 cm	280,5 cm	287,0 cm	293,5 cm	300,0 cm
240 cm	266,0 cm	272,5 cm	279,0 cm	285,5 cm	292,0 cm	298,5 cm	305,0 cm
245 cm	271,0 cm	277,5 cm	284,0 cm	290,5 cm	297,0 cm	303,5 cm	310,0 cm
250 cm	276,0 cm	282,5 cm	289,0 cm	295,5 cm	302,0 cm	308,5 cm	315,0 cm
255 cm	281,0 cm	287,5 cm	294,0 cm	300,5 cm	307,0 cm	313,5 cm	320,0 cm
260 cm	286,0 cm	292,5 cm	299,0 cm	305,5 cm	312,0 cm	318,5 cm	325,0 cm
265 cm	291,0 cm	297,5 cm	304,0 cm	310,5 cm	317,0 cm	323,5 cm	330,0 cm
270 cm	296,0 cm	302,5 cm	309,0 cm	315,5 cm	322,0 cm	328,5 cm	335,0 cm
275 cm	301,0 cm	307,5 cm	314,0 cm	320,5 cm	327,0 cm	333,5 cm	340,0 cm
280 cm	306,0 cm	312,5 cm	319,0 cm	325,5 cm	332,0 cm	338,5 cm	345,0 cm
285 cm	311,0 cm	317,5 cm	324,0 cm	330,5 cm	337,0 cm	343,5 cm	350,0 cm
290 cm	316,0 cm	322,5 cm	329,0 cm	335,5 cm	342,0 cm	348,5 cm	355,0 cm
295 cm	321,0 cm	327,5 cm	334,0 cm	340,5 cm	347,0 cm	353,5 cm	360,0 cm



We wish you much pleasure with your new

Terrace roofing

